

Project:	
Type:	
Catalog #:	



**STANDARD**



**FEATURES**

- Available in 5000k (cool white) color temperature.\*
- Long-life LEDs provide 372,000 hours of operation with at least 70% of initial lumen output (L<sub>70</sub>), and 103,000 hours with at least 90% of initial lumen output (L<sub>90</sub>).\*\*
- LED chromaticity based on ≤ 7-step ANSI quadrangles.
- LED color maintenance ≤ 0.002 chromaticity shift (Δu'v') over the initial 6,000 hours of operation.
- Provides 5,444 lumens and draws 39 watts (140 lumens per watt).\*
- Universal 120-277 AC voltage (50-60Hz).
- 0-10vdc dimming drivers are standard.
- Power factor ≥ 0.90.
- Total harmonic distortion ≤ 20%.
- Color rendering index (R<sub>a</sub>) ≥ 70. Red color rendering > -36.
- NEMA photocell receptacle & photocell are standard.
- Die cast aluminum housing with silver powder coat finish.
- Polycarbonate lens.
- Easy installation in new construction or retrofit.

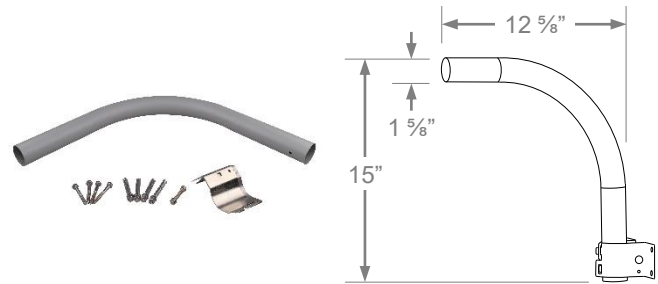
**WARRANTY & LISTINGS**

- cULus listed for wet locations in ambient temperatures from -40°C to 50°C (-40°F to 122°F).
- DLC 5.1 premium approved.
- Complies with IEC61000-4-5, input transient surge protection (2kV).
- Complies with FCC Part 15, class A.
- IP65 rated for ingress protection.
- 5-year warranty of all electronics and housing.

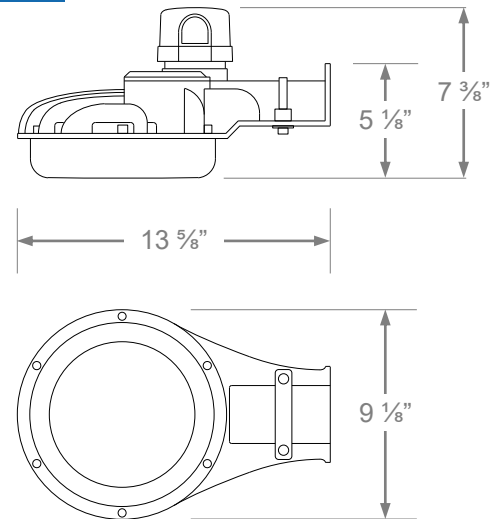
\* Contact factory for other color temperatures and lumen packages.  
\*\* L<sub>70</sub> hours are IES TM-21-11 calculated hours.

**MOUNTING ARM (OPTIONAL)**

- Optional powder-coated steel mounting arm attaches to poles or walls.
- Mounting bracket included.



**DIMENSIONS**



**ORDERING INFORMATION**

Example: PFX3131-DDAL-5L-5K

Series	Nominal Lumen Output		Color Temperature		Accessories (Order Separately)	
PFX3131 DDAL	5L	5,000	5K	5000k	LED-DDALSN-ARM	Mounting arm with bracket

## ELECTRICAL DATA

Model	CCT	CRI <sup>1</sup>	Luminaire Lumens	Luminaire Watts	Lumens Per Watt	Input Voltage	Input Current (A)			Power Factor	THD <sup>2</sup>	L <sub>70</sub> Hours <sup>3</sup>
							120V	240V	277V			
PFX3131-DDAL-5L-5K	5000k	> 70	5,444	39	140	120-277	0.33	0.16	0.14	> 90%	< 20%	372,000

<sup>1</sup> Color rendering index

<sup>2</sup> Total harmonic distortion

<sup>3</sup> L<sub>70</sub> refers to the number of hours at which lumen output declines to 70% of the initial level. L<sub>70</sub> hours are IES TM-21-11 calculated hours.

## PHOTOMETRIC DATA

### PFX3131-DDAL-5L-3K

#### Luminaire Data

Description	Dusk-To-Dawn, 5L, 5K
Total Lumens	5,288
Input Wattage	39
Efficacy (lm/W)	136
Max. Cd.	1368.73 (45H, 47V)
IES Classification	Type VS
Longitudinal Classification	Very Short

#### Luminaire Classification Systems (LCS)

LCS Zone		Lumens	%Lum
FL	0-30	439	8.3%
FM	30-60	1,428	27.0%
FH	60-80	734	13.9%
FVH	80-90	34	0.6%
BL	0-30	433	8.2%
BM	30-60	1,407	26.6%
BH	60-80	698	13.2%
BVH	80-90	31	0.6%
UL	90-100	28	0.5%
UH	100-180	57	1.1%
<b>Total</b>		5,288	100.0%
BUG Rating		B2-U3-G1	

