

# LED CANOPY (PFX-3610)



## DESCRIPTION

PFX-3610, is a cost-effective, energy-saving LED light fixture for surface mount applications in commercial buildings, retail, and educational facilities. Thin design, though, the housing provides excellent heat dissipation which prolongs its lifespan. The precision-designed optical lens reduces glare, improves optical performance and provides comfortable lighting effects. The PFX-3610 is equipped with an external quick-mounting plate suitable for standard J-BOX mount and also compatible with 3/4" pendant mount, with 1/2" knock-out holes reserved on three sides, suitable for surface conduit wiring installation. PFX-3610 also has high return benefits, it supports 4 lumen package selectable (100%, 80%, 60%, 40%); and Three CCTs selectable (3000K, 4000K, 5000K).



## SPECIFICATION FEATURES

### Construction

- One-piece die-cast aluminum housing secures the thermally conductive LED panel and electrical chamber.
- Casting thermally conducts LED heat to optimize performance and long life.
- With corrosion-resistant powder coating that provides protection and architectural appearance while adapting well to the environment in the garage.

### Optics

- Light engines are available in color tunable version, the CCT can be changed to 3000K/4000K/5000K.
- Scalable Lumen Packages from 3,700 to 8,400 Lumens.
- Anti-UV prismatic translucent lens is designed to shape the light distribution and uniformity.

### Electrical

- Universal 120-277 or 120-347 VAC input voltage.
- 0-10V Dimming.
- Both drivers have a power factor >90%, THD <20%.
- Operating Temperature Range: -40°C to 40°C (-40°F - + 104°F).  
Note: Operating with emergency battery temperature range: 10°C to 40°C (+50°F - + 104°F).

### Controls

- Optional PIR sensor
- Optional Emergency Battery

### Lifespan

- Estimated 50,000-hour LED lifespan based on IES LM-80 results and TM-21 calculations.

### Warranty

- Five-year warranty.

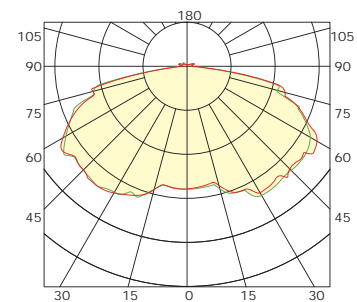
### Certifications

- UL cUL wet location listed.

### Note

• Actual performance may differ as a result of end-user environment and application. All values are design or typical values, measured under laboratory conditions at 25 C (±5 C ) specifications subject to change without notice.

### PHOTOMETRICS



### ACCESSORIES(Optional)



**Emergency Battery Backup**  
Description: 5W 800lm 90min



**PIR Sensor, 120-277V**  
Description: External sensor can be pre-installed in factory or field installed.



**Microwave Sensor, 12V**  
Description: Sensor can be built-in fixture.

## PERFORMANCE DATA

SYSTEM WATTS	VOLTAGE	CRI	LUMENS (3000K)	LPW (3000K)	LUMENS (4000K)	LPW (4000K)	LUMENS (5000K)	LPW (5000K)
60W	120-277VAC	70	7800lm	130 lm/W	8400lm	140 lm/W	8000lm	133 lm/W
60W	120-347VAC	70	7800lm	130 lm/W	8400lm	140 lm/W	8000lm	133 lm/W

## ADJUSTABLE LUMEN OUTPUT TABLE

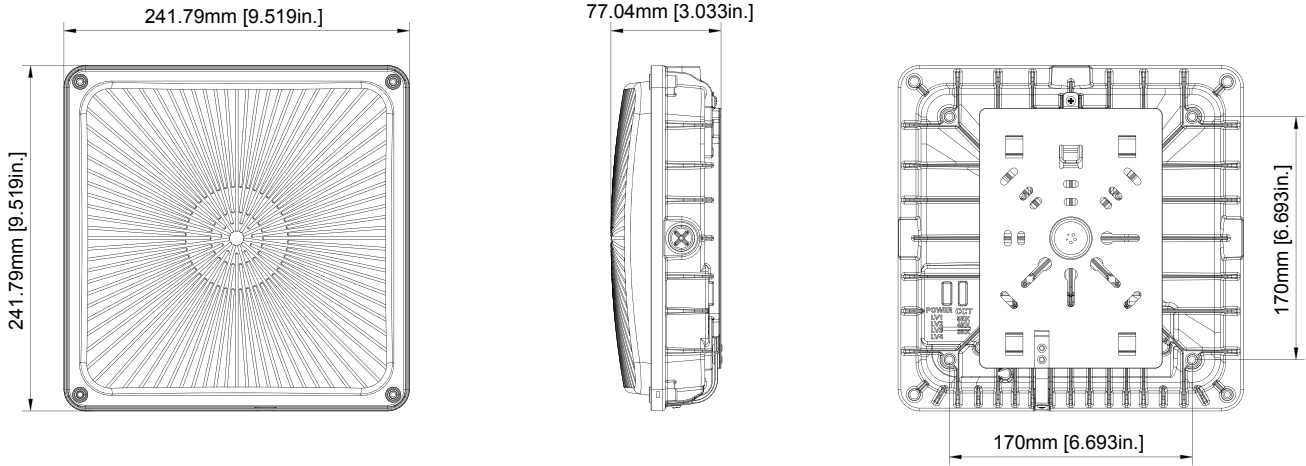
SETTING	SETTING WATTS	LUMENS (3000 K)	LPW (3000 K)	LUMENS (4000 K)	LPW (4000 K)	LUMENS (5000 K)	LPW (5000 K)
100 %	60	7800	130	8400	140	8000	133
80 %	48	6500	135	7000	146	6600	138
60 %	36	5200	144	5600	156	5300	147
40 %	25	3700	148	4000	160	3800	152

# ELECTRICAL DATA

Number Of Drivers	Driver Current (mA)	Nominal Power (W)	INPUT VOLTAGE (V)	CURRENT (Amps)
1	900	60	120	0.50
		60	208	0.29
		60	240	0.25
		60	277	0.22
		60	347	0.17

# DIMENSIONS

unit: mm/inch



# ORDERING GUIDE

Example: PFX-3610 60W 27V DDK Y Y Y Y Y

Fixture Type	Wattage	Voltage	CCT	Finish	Sensor (Option)	Emergency Battery (Option)	Photocell (Option)	Surge Protector(Option)	CCT and Power Adjustable	Internal Code
<input type="checkbox"/>	<input type="checkbox"/>	<input type="checkbox"/>	<input type="checkbox"/>	<input type="checkbox"/>	<input type="checkbox"/>	<input type="checkbox"/>	<input type="checkbox"/>	<input type="checkbox"/>	<input type="checkbox"/>	<input type="checkbox"/>
<b>PFX-3610</b> Canopy Series	<b>60</b> 60W	<b>27V</b> 120-277V <b>34V</b> 120-347V	<b>DDK<sup>1</sup></b> Adjustable color temperature	<b>D</b> Dark Bronze <b>B</b> Black <b>W</b> White	<b>M</b> Motion Sensor <b>Blank</b> Without Sensor	<b>B<sup>2</sup></b> Emergency Battery <b>Blank</b> Without Emergency Battery	<b>P</b> With Photocell <b>Blank</b> Without Photocell	<b>S</b> With Surge Protector <b>Blank</b> Without Surge Protector	<b>AD<sup>1</sup></b> With Adjustment Dial	<b>Blank</b> <b>Alphanumeric</b>

- Note: 1. CCT and power adjustable.  
2. Battery only suitable for 120-277V.