

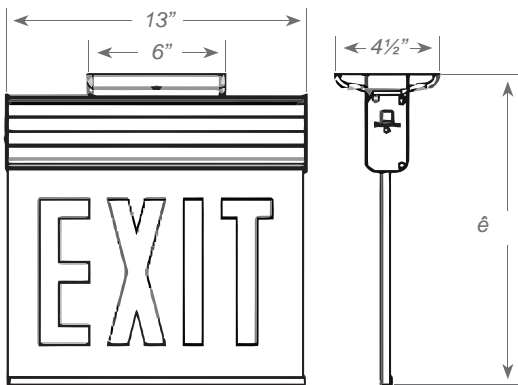
PFX-

PP D D

X



D



Ira-ri e er e icie l -las i ie Ds r ie
i rmill mi a i .

s a ili e sil scree e acrl ic a els r i ec sise
i rmill mi a i .

D al l a e.

ar era e er Di ca rli a s es
s ic rma a e c ec m lia ce es i .

-li e mai e a ce-ree rec ar ea le i a er
m els l .

er als li -s a e ra sers ic a ma icall c ec s e
i er al a er D ar rmi im m -mi e
emer e c ill mi a i .

F ll a ma ic s li -s a e -ra ec ar eri i a es a er
c ar i rec ar ea isc ar e a er i rs.

Die-cas al mi m m i ca r i e r
i ersal e r ac m .

Premi m-ra e e r e al mi m si als
a aila lei i al ie er-c a e i is .
i le r le ace c i ra i s.

Fi e ear arra all elec r ics a si .
a er r ra e r i e ears.

lis e r am l ca i s .
ee s FP i e a e e
cal a a e es.

ee sci ica re ireme s.

er i ie er ile e la i s.

ORDERING INFORMATION

Sample Part Number: 3)CAELXTE 1RWAEM-NA

MODEL	No. of FACES	LETTER	HOUSING	BATTERY	SIGNAGE / DIRECTIONAL ARROWS				
CAELXTE	1	Single Face	RW	Red On White	A Aluminum	(blank)	AC-Only	-NA	Exit No Arrow
	2	Universal Single/Double Face			W White	EM	Battery Backup	-S-NA	Stair No Arrow
								-DA	Exit Double Arrow
								-S-DA	Stair Double Arrow
								-RA ¹	Exit Right Arrow
								-S-RA ¹	Stair Right Arrow
								-LA ¹	Exit Left Arrow
								-S-LA ¹	Stair Left Arrow
								-LARA ²	Exit Left/Right Arrow
								-S-LARA ²	Stair Left/Right Arrow

¹ Available in single face configuration only.

² Available in double face configuration only.

Disclaimer: Due to the rapid pace of technology change in the Lighting industry, the Information and Data presented in this spec sheet is for reference purposes only, please confirm with PARAFLEX at the time of finalizing the order or design. PARAFLEX does not warrant or represent that the information is free from errors or omission. The information may change without notice and PARAFLEX is not in any way liable for the accuracy of any information printed and stored or in any way interpreted or used.

PFX-5517

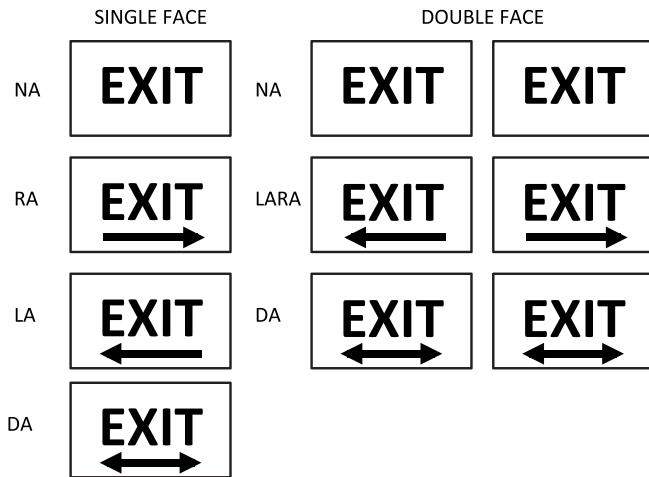
CHICAGO APPROVED EDGELIT ALUMINUM
EXIT/STAIR SIGNS



ELECTRICAL INFORMATION

Catalog Number	Input Watts (W)		Input Amps (A)	
	120V	277V	120V	277V
AC Model	4.3	4.7	0.04A	0.02A
EM Model	4.3	4.7	0.04A	0.02A

ARROW CONFIGURATION



Disclaimer:
Due to the rapid pace of technology change in the Lighting industry, the Information and Data presented in this spec sheet is for reference purposes only, please confirm with PARAFLEX at the time of finalizing the order or design. PARAFLEX does not warrant or represent that the information is free from errors or omission. The information may change without notice and PARAFLEX is not in any way liable for the accuracy of any information printed and stored or in any way interpreted or used.