

SWP (FORMERLY DCSLM)

LOW PROFILE LED WALLPACK LUMINAIRE

PROJECT

DATE

TYPE

NOTES



REV: 04 2021

* Contact Paraflex for DLC Part Number



LOW PROFILE, IP-65 RATED HOUSING

The Compact Housing is constructed with a Die Cast Aluminum Body and Poly Carbonate lens.

WET LOCATION RATED

Engineered and Constructed for Exterior Environments

ADJUSTABLE TYPE II BEAM ANGLE

The SWP provides a Adjustable Housing that pivots from full Cut-Off to a 90° upright position

STANDARD 120-277V TYPE II DISTRIBUTION

OPERATING TEMPERATURE -40C to 40C

PRODUCT APPLICATIONS

- Building Entrances
- Bridges
- Walkways
- Catwalks
- Tunnels
- Stairwells
- Loading Docks

When Specifying Options, Please Check with Factory for Availability and Lead-Time. Any modified product, any selected options added to standard products, deem order non-cancelable and non-returnable. All RMA, Return Material Authorization, must be factory approved.

ORDERING GUIDE

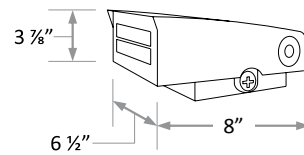
Sample Part # SWP - 25W - 40K - BZ

MODEL	WATTAGE	COLOR TEMPERATURE (CCT)	HOUSING COLOR
SWP			BZ
	25W 25 WATTS	40K 4000K - NEUTRAL WHITE	BZ BRONZE (STANDARD)
	40W 40 WATTS	50K 5000K - COOL WHITE	
	60W 60 WATTS		
	75W 75 WATTS		
	100W 100 WATTS		

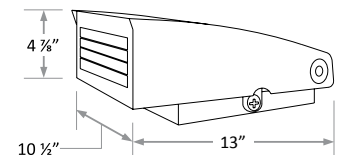
PRODUCT SPECIFICATIONS

WATTAGE	CCT	DELIVERED LUMENS	EFFICACY	CRI
25W	4000k	2,680 LM	116 LM/W	>80
25W	5000k	2,693 LM	118 LM/W	>80
40W	4000k	4,234 LM	114 LM/W	>80
40W	5000k	4,254 LM	114 LM/W	>80
60W	4000k	6,601 LM	114 LM/W	>80
60W	5000k	6,626 LM	116 LM/W	>80
75W	4000k	8,014 LM	113 LM/W	>80
75W	5000k	8,078 LM	114 LM/W	>80
100W	4000k	10,752 LM	116 LM/W	>80
100W	5000k	10,824 LM	116 LM/W	>80

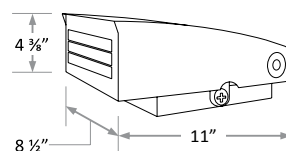
25W & 40W PRODUCT DIMENSIONS



100W PRODUCT DIMENSIONS



60W & 75W PRODUCT DIMENSIONS



PARAFLEX does not warrant or represent that the information is free from errors or omission. The information may change without notice and PARAFLEX is not in any way liable for the accuracy of any information printed and stored or in any way interpreted or used.

PRODUCT SPECIFICATIONS (CONT.)

HOUSING CONSTRUCTION

Heavy Duty Die Cast Aluminum Housing Gasketed to Provide IP65 rating when Paired with Lens

DIMENSIONS

3 sizes- see diagrams

FINISH

High Quality Dark Bronze Powder Coat Rated for Outdoor Locations

VOLTAGE

120-277V Input Standard. THD <20% Power Factor >90%

INSTALLATION

Direct Mounted over standard 4" junction box or conduit wired through 1/2 NPT conduit entries.

CERTIFICATIONS

cULus conforms to UL 1598 and 8750 conforms to CSA 22.2 & DLC Standard Listed (Excluded 120W, 30K Model). Complies with FCC (Part 15, Class B). Complies with EN61000-4-5, surge immunity protection (2kV)

WARRANTY

Standard 5-Year Warranty

PHOTOMETRICS

SWP-25W-40K

Luminaire Data

Description	Adjustable Wall Pack 25W, 40K
Total Lumens	2,680
Input Wattage	23
Efficacy (lm/W)	117
Max. Cd.	1413.96 (360H, 22V)
IES Classification	Type II
Longitudinal Classification	Very Short

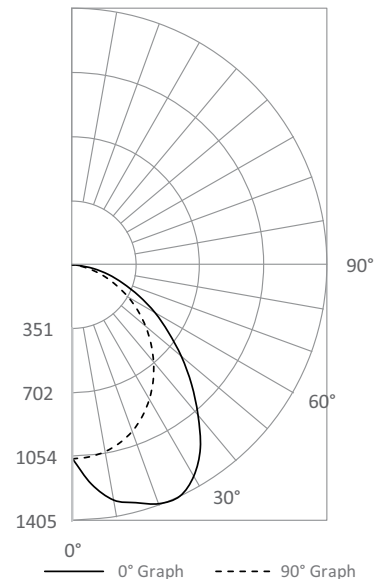
Zonal Lumen Summary

Zone	Lumens	%Fixt
0-30°	824	30.8%
0-60°	2,217	82.7%
0-80°	2,652	98.9%
80-90°	28	1.1%*
0-90°	2,680	100.0%
90-110°	0	0.0%
110-180°	0	0.0%
0-180°	2,680	100.0%

Luminaire Classification Systems (LCS)

LCS Zone		Lumens	%Lum
FL	0-30	520	19.4%
FM	30-60	993	37.1%
FH	60-80	316	11.8%
FVH	80-90	21	0.8%
BL	0-30	305	11.4%
BM	30-60	399	14.9%
BH	60-80	118	4.4%
BVH	80-90	7	0.3%
UL	90-100	0	0.0%
UH	100-180	0	0.0%
Total		2,680	99.9%
BUG Rating		B1-U0-G1	

180° Polar Graph



* 80-90° glare zone is calculated by dividing the lumens in that zone by the lumen total in the 0-90° zone

PHOTOMETRICS (CONT.)

SWP-40W-40K

Luminaire Data

Description	Adjustable Wall Pack 40W, 40K
Total Lumens	4,234
Input Wattage	37
Efficacy (lm/W)	114
Max. Cd.	2251.44 (360H, 23V)
IES Classification	Type II
Longitudinal Classification	Very Short

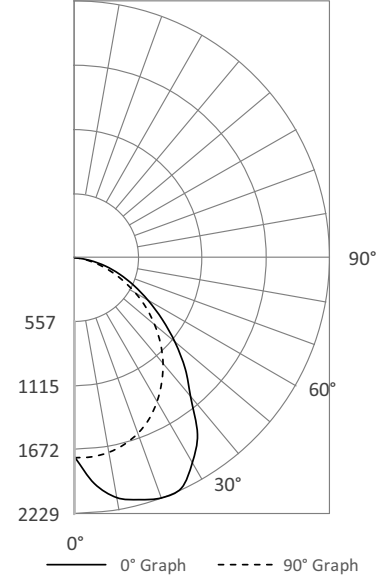
Zonal Lumen Summary

Zone	Lumens	%Fixt
0-30°	1,347	31.8%
0-60°	3,541	83.6%
0-80°	4,196	99.1%
80-90°	38	0.9%*
0-90°	4,234	100.0%
90-110°	0	0.0%
110-180°	0	0.0%
0-180°	4,234	100.0%

Luminaire Classification Systems (LCS)

LCS Zone	Lumens	%Lum
FL 0-30	836	19.8%
FM 30-60	1,531	36.2%
FH 60-80	462	10.9%
FVH 80-90	26	0.6%
BL 0-30	511	12.1%
BM 30-60	663	15.7%
BH 60-80	192	4.5%
BVH 80-90	12	0.3%
UL 90-100	0	0.0%
UH 100-180	0	0.0%
Total	4,234	100.0%
BUG Rating	B2-U0-G1	

180° **Polar Graph**



* 80-90° glare zone is calculated by dividing the lumens in that zone by the lumen total in the 0-90° zone

SWP-60W-40K

Luminaire Data

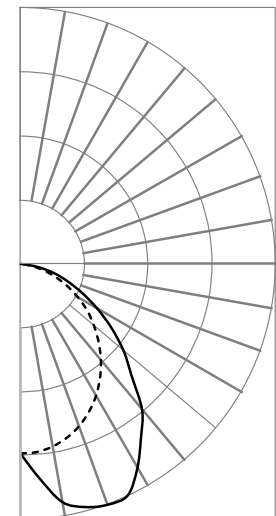
Description	Adjustable Wall Pack 60W, 40K
Total Lumens	6,601
Input Wattage	58
Efficacy (lm/W)	114
Max. Cd.	3506.76 (360H, 23V)
IES Classification	Type II
Longitudinal Classification	Very Short

Zonal Lumen Summary

Zone	Lumens	%Fixt
0-30°	2,048	31.0%
0-60°	5,464	82.8%
0-80°	6,527	98.9%
80-90°	74	1.1%*
0-90°	6,601	100.0%
90-110°	0	0.0%
110-180°	0	0.0%
0-180°	6,601	100.0%

Luminaire Classification Systems (LCS)

LCS Zone	Lumens	%Lum
FL 0-30	1,286	19.5%
FM 30-60	2,388	36.2%
FH 60-80	752	11.4%
FVH 80-90	53	0.8%
BL 0-30	762	11.5%
BM 30-60	1,028	15.6%
BH 60-80	311	4.7%
BVH 80-90	21	0.3%
UL 90-100	0	0.0%
UH 100-180	0	0.0%
Total	6,601	100.0%
BUG Rating	B2-U0-G1	



* 80-90° glare zone is calculated by dividing the lumens in that zone by the lumen total in the 0-90° zone

PHOTOMETRICS (CONT.)

SWP-75W-40K

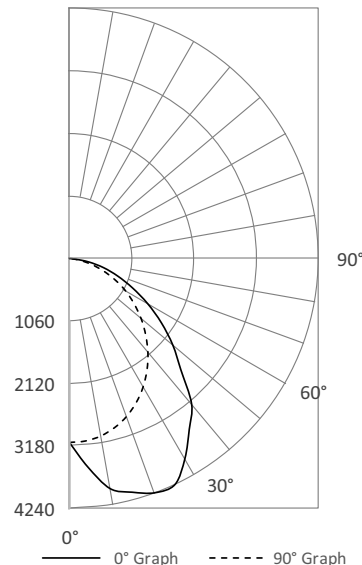
Luminaire Data

Description	Adjustable Wall Pack 75W, 40K
Total Lumens	8,014
Input Wattage	71
Efficacy (lm/W)	113
Max. Cd.	4284.82 (360H, 23V)
IES Classification	Type II
Longitudinal Classification	Very Short

Luminaire Classification Systems (LCS)

LCS Zone	Lumens	%Lum
FL 0-30	1,554	19.4%
FM 30-60	2,926	36.5%
FH 60-80	937	11.7%
FVH 80-90	66	0.8%
BL 0-30	908	11.3%
BM 30-60	1,223	15.3%
BH 60-80	375	4.7%
BVH 80-90	26	0.3%
UL 90-100	0	0.0%
UH 100-180	0	0.0%
Total	8,014	100.0%
BUG Rating	B2-U0-G1	

180° **Polar Graph**



Zonal Lumen Summary

Zone	Lumens	%Fixt
0-30°	2,462	30.7%
0-60°	6,611	82.5%
0-80°	7,922	98.9%
80-90°	92	1.1%*
0-90°	8,014	100.0%
90-110°	0	0.0%
110-180°	0	0.0%
0-180°	8,014	100.0%

* 80-90° glare zone is calculated by dividing the lumens in that zone by the lumen total in the 0-90° zone

SWP-100W-40K

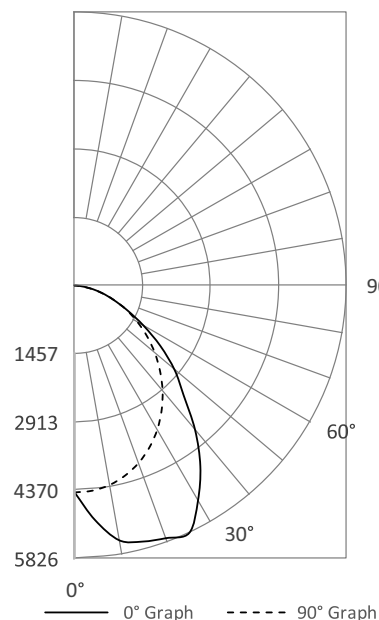
Luminaire Data

Description	Adjustable Wall Pack 100W, 40K
Total Lumens	10,752
Input Wattage	93
Efficacy (lm/W)	116
Max. Cd.	5826.22 (360H, 25V)
IES Classification	Type II
Longitudinal Classification	Very Short

Luminaire Classification Systems (LCS)

LCS Zone	Lumens	%Lum
FL 0-30	2,153	20.0%
FM 30-60	3,866	35.9%
FH 60-80	1,129	10.5%
FVH 80-90	78	0.7%
BL 0-30	1,307	12.2%
BM 30-60	1,694	15.8%
BH 60-80	494	4.6%
BVH 80-90	32	0.3%
UL 90-100	0	0.0%
UH 100-180	0	0.0%
Total	10,752	99.8%
BUG Rating	B3-U0-G1	

180° **Polar Graph**



Zonal Lumen Summary

Zone	Lumens	%Fixt
0-30°	3,459	32.2%
0-60°	9,020	83.9%
0-80°	10,642	99.0%
80-90°	110	1%*
0-90°	10,752	100.0%
90-110°	0	0.0%
110-180°	0	0.0%
0-180°	10,752	100.0%

* 80-90° glare zone is calculated by dividing the lumens in that zone by the lumen total in the 0-90° zone