

**EWP** (FORMERLY WP290)

ECONOMY WALL PACK

PROJECT

DATE

TYPE

NOTES



REV: 05 2021

\* Contact Paraflex for DLC Part Number



**COMPACT, DURABLE HOUSING**

The EWP is a Small Wallpack with a Die Cast Aluminum Housing and Diffused Polycarbonate Lens

**WET LOCATION, IP-65 RATED**

Seamless Gasket Engineered to Prevent Leaks and Provide Installation within Exterior Environments

**DLC 5.1 PREMIUM APPROVED**

**OPERATING TEMPERATURE -30C to 45C**

**120-277V STANDARD**

**PRODUCT APPLICATIONS**

- |                    |                    |
|--------------------|--------------------|
| Building Entrances | Bridges            |
| Walkways           | Catwalks           |
| Tunnels            | Stairwells         |
| Loading Docks      | Building Exteriors |

When Specifying Options, Please Check with Factory for Availability and Lead-Time. Any finish other than Paraflex bronze order is non-cancelable and non-returnable. Any modified product, any selected options added to standard products, deem order non-cancelable and non-returnable. All RMA, Return Material Authorization, must be factory approved.

**ORDERING GUIDE**

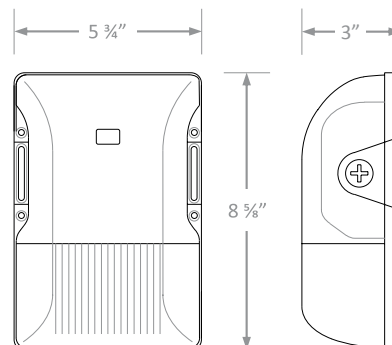
Sample Part # EWP - 20W - 50K - BZ - PC

MODEL	WATTAGE	COLOR TEMPERATURE (CCT)	HOUSING COLOR	OPTIONS & ACCESSORIES
EWP	20W		BZ	PC
	20W 20 WATTS	30K 3000K WARM WHITE 40K 4000K NETRAL LIGHT 50K 5000K COOL WHITE	BZ BRONZE (STANDARD)	PC 120V-277V BUTTON TYPE PHOTOCELL

**PRODUCT SPECIFICATIONS**

WATTAGE	CCT	DELIVERED LUMENS	EFFICACY	CRI
EWP-20W-30K	3000k	2,621 LM	133 LM/W	>80
EWP-20W-40K	4000k	2,794 LM	144 LM/W	>80
EWP-20W-50K	5000k	2,736 LM	140 LM/W	>80

**PRODUCT DIMENSIONS**



PARAFLEX does not warrant or represent that the information is free from errors or omission. The information may change without notice and PARAFLEX is not in any way liable for the accuracy of any information printed and stored or in any way interpreted or used.

**PRODUCT SPECIFICATIONS (CONT.)**

**HOUSING CONSTRUCTION**

Heavy Duty Die Cast Aluminum Housing Gasketed to Provide IP65 rating when Paired with Lens

**LENS CONSTRUCTION**

Diffused Polycarbonate Lens

**FINISH**

Cast Aluminum Housing With Dark Bronze, Powder Coat Finish

**VOLTAGE**

120-277V Input Standard. THD <20% Power Factor >90%

**INSTALLATION**

Direct Mounted over standard 4" junction box

**CONTROLS**

Photocell is included standard. 0-10V dimmable drivers are standard.

**CERTIFICATIONS**

cULus conforms to UL 1598 and 8750 conforms to CSA 22.2 & DLC Standard Listed. Complies with FCC (Part 15, Class B). Complies with EN61000-4-5, surge immunity protection (2kV)

**LUMEN MAINTENANCE**

L70 rating of over 174,000 hours

**WARRANTY**

Standard 5-Year Warranty Of All Electrical & Housing

**PHOTOMETRICS**

**EWP-20W-40K**

**Luminaire Data**

Description	Economy Wall Pack 20W, 40K
Total Lumens	2,794
Input Wattage	19
Efficacy (lm/W)	144
Max. Cd.	1066.59 (360H, 10V)
IES Classification	Type IV
Longitudinal Classification	Very Short

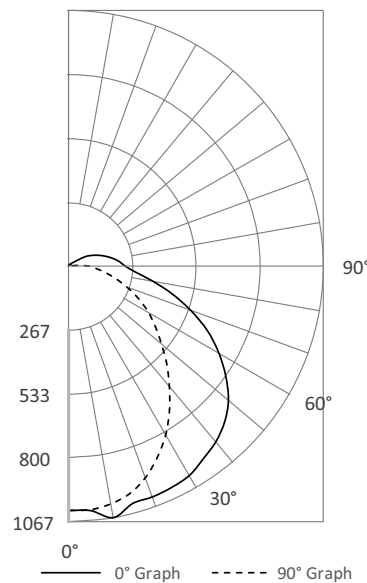
**Zonal Lumen Summary**

Zone	Lumens	%Fixt
0-30°	744	26.6%
0-60°	1,888	67.6%
0-80°	2,399	85.8%
80-90°	137	5.4%*
0-90°	2,536	90.8%
90-110°	157	5.6%
110-180°	0	0.0%
0-180°	2,794	100.0%

**Luminaire Classification Systems (LCS)**

LCS Zone	Lumens	%Lum	
FL	0-30	406	14.5%
FM	30-60	803	28.7%
FH	60-80	404	14.5%
FVH	80-90	113	4.0%
BL	0-30	338	12.1%
BM	30-60	342	12.2%
BH	60-80	106	3.8%
BVH	80-90	24	0.9%
UL	90-100	93	3.3%
UH	100-180	165	5.9%
<b>Total</b>		2,794	100.0%
BUG Rating		B1-U3-G2	

180° **Polar Graph**



\* 80-90° glare zone is calculated by dividing the lumens in that zone by the lumen total in the 0-90° zone