

C06

CYLINDER SCENCE

PROJECT

DATE

TYPE

NOTES



REV: 01 2021



IP65 RATED HOUSING

The Cylinder Sconce is a cylindrical wall fixture with a fabricated aluminum body and tempered glass lens.

WET LOCATION

Engineered and Constructed for Exterior Environments

EASY TO INSTALL MOUNTING

The Cylinder Sconce is Surface Mounted over an Existing 4" Outlet Box or Surface Wired through a 1/2" Conduit Entry

STANDARD

120V - 277V

TEMPERATURE

0°C to 40°C ambient

PRODUCT APPLICATIONS

Site Lighting

Walkways

Stairways

Bridges

Catwalks

Parking Areas

Minimum Order Quantity: 4

When Specifying Options, Please Check with Factory for Availability and Lead-Time.

ORDERING GUIDE

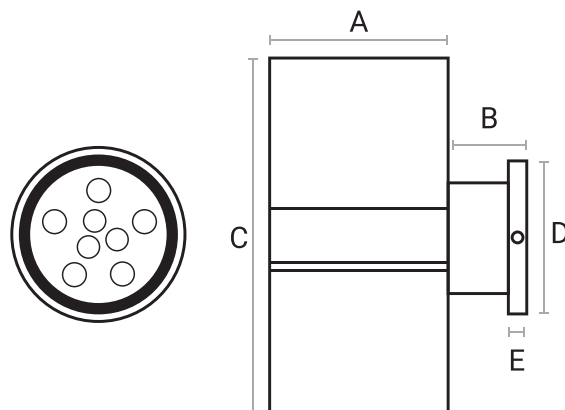
Sample Part # C06 - S - 24W - 40K - GY

MODEL	LAMPS	WATTAGE			LED COLOR*	HOUSING COLOR
C06	S SINGLE	9W 9 Watts	18W 18 Watts	36W 36 Watts	30K 3000K - WARM WHITE 40K 4000K - NEUTRAL WHITE 50K 5000K - COOL WHITE	GY GREY (STANDARD)
		12W 12 Watts	24W 24 Watts			
D DOUBLE		18W (9W UP + 9W DOWN)	48W (24W UP + 24W DOWN)		R RED G GREEN B BLUE	
		24W (12W UP + 12W DOWN)	72W (36W UP + 36W DOWN)			
		36W (18W UP + 18W DOWN)				

*No Up/Down Color Combinations; Static Colors Only

PRODUCT SPECIFICATIONS

TYPE	POWER	DIMENSION (INCHES)				
		A	B	C	D	E
SINGLE	9W - 12W	4.25	2.51	7.87	5	0.63
	18W	5.75	2.51	7.87	5	0.63
	24W	6.3	2.51	7.87	5	0.63
	36W	7.1	2.51	7.87	5	0.63
DOUBLE	18W - 24W	4.25	2.51	11.8	5	0.63
	36W	5.75	2.51	11.8	5	0.63
	48W	6.3	2.51	11.8	5	0.63
	72W	7.1	2.51	11.8	5	0.63



PARAFLEX does not warrant or represent that the information is free from errors or omission. The information may change without notice and PARAFLEX is not in any way liable for the accuracy of any information printed and stored or in any way interpreted or used.

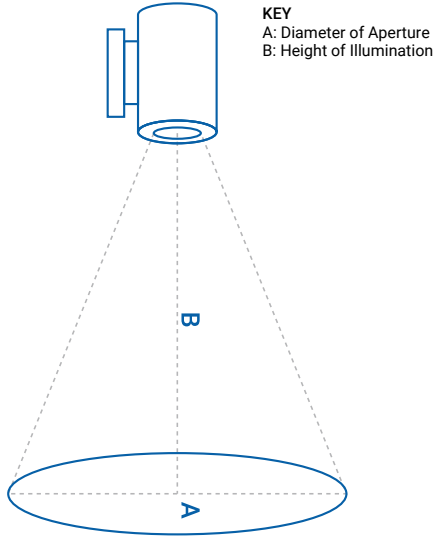
C06

CYLINDER SCONCE

PARAFLEX does not warrant or represent that the information is free from errors or omission. The information may change without notice and PARAFLEX is not in any way liable for the accuracy of any information printed and stored or in any way interpreted or used.

DIAGRAMS

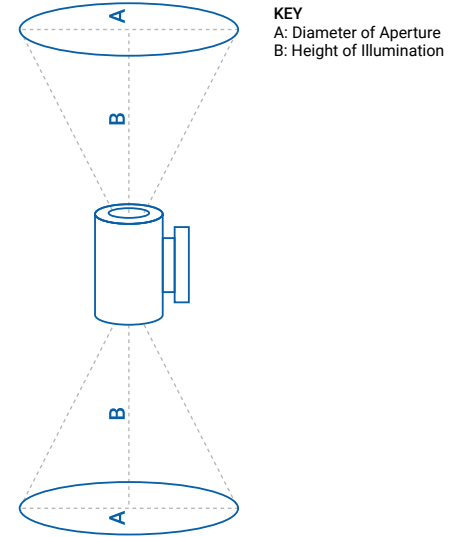
C06-S



APPLICATION SUGGESTION

Power	A	B
9W - 12W	4ft	20ft ~ 27ft
18W	6ft	27ft ~ 33ft
24W	6.5ft	43ft ~ 50ft
36W	8.3ft	55ft ~ 60ft

C06-D



APPLICATION SUGGESTION

Power	A	B
18W - 24W	4ft	20ft ~ 27ft
36W	6ft	27ft ~ 33ft
48W	6.5ft	43ft ~ 50ft
72W	8.3ft	55ft ~ 60ft

ITEM	SPECIFICATION	DETAILS				
		9W	12W	18W	24W	36W
GENERAL PERFORMANCE	Input Power (W)	9W	12W	18W	24W	36W
	Lumens Delivered (lm) at 4000K	772	972	1781	2144	3105
	Efficacy (lm/W)	80	80	86	88	89
	CRI	≥80				
	Lumen Maintenance (L70, TM-21 @ 25°C)	L90 > 36,000 hours L70 ≥ 50,000 hours				
	Color Consistency	Proprietary binning for uniform color				