

6" BOLLARDS

LED BOLLARD LIGHT

PROJECT

DATE

TYPE

NOTES



REV: 11 2020



BL600

BL601

BL610

BL611

DIE-CASTED ALUMINUM HOUSING

Made corrosion and shock resistant. Top cover design is self-oriented for easy installation and maintenance. Can replace up to 70W pulse-start Metal Halide lamp.

FEATURES

50/60Hz driver. Lens angles: 120°/150°. Anchor bolts with hardware and template supplied as standard.

120-277V STANDARD

PRODUCT APPLICATIONS

- Walkways
- Business Districts
- Playgrounds
- Parks & Recreational Fields
- Residential Areas
- Commercial Areas

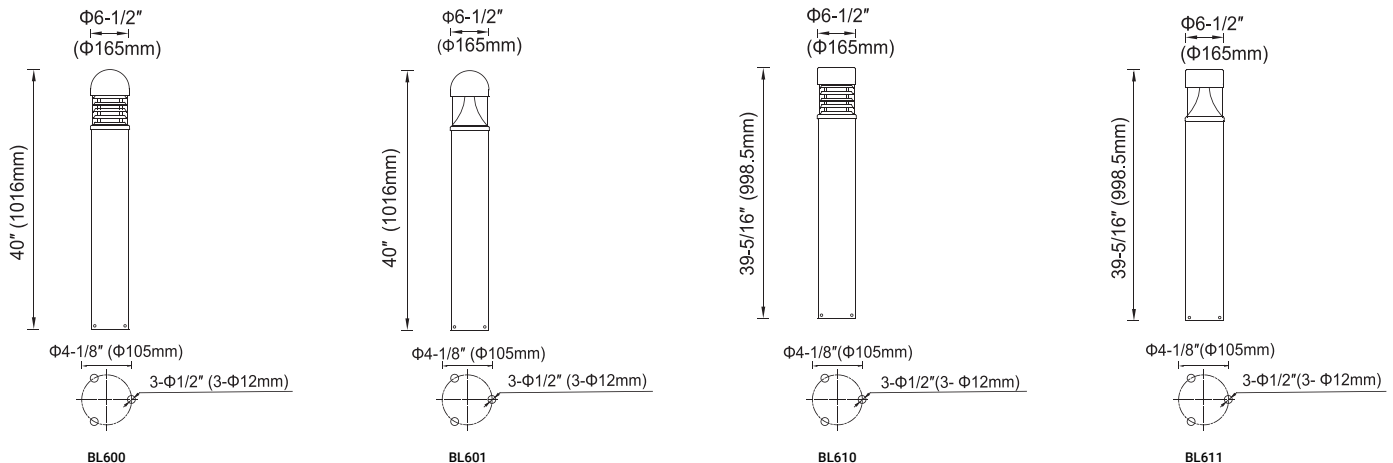
When Specifying Options, Please Check with Factory for Availability and Lead-Time. Any modified product, any selected options added to standard products, deem order non-cancelable and non-returnable. All RMA, Return Material Authorization, must be factory approved.

ORDERING GUIDE

Sample Part # BL600 - 25W - 30K - 120 - BZ

MODEL	WATTAGE	COLOR TEMPERATURE (CCT)	DISTRIBUTION	HOUSING COLOR
BL600 BL610	25W 25 WATTS	30K 3000K WARM WHITE 40K 4000K NEUTRAL WHITE 50K 5000K COOL WHITE	120 120°	BZ BRONZE BL BLACK
BL601 BL611	25W 25 WATTS 35W 35 WATTS	30K 3000K WARM WHITE 40K 4000K NEUTRAL WHITE 50K 5000K COOL WHITE	150 150°	BZ BRONZE BL BLACK

PRODUCT SPECIFICATIONS



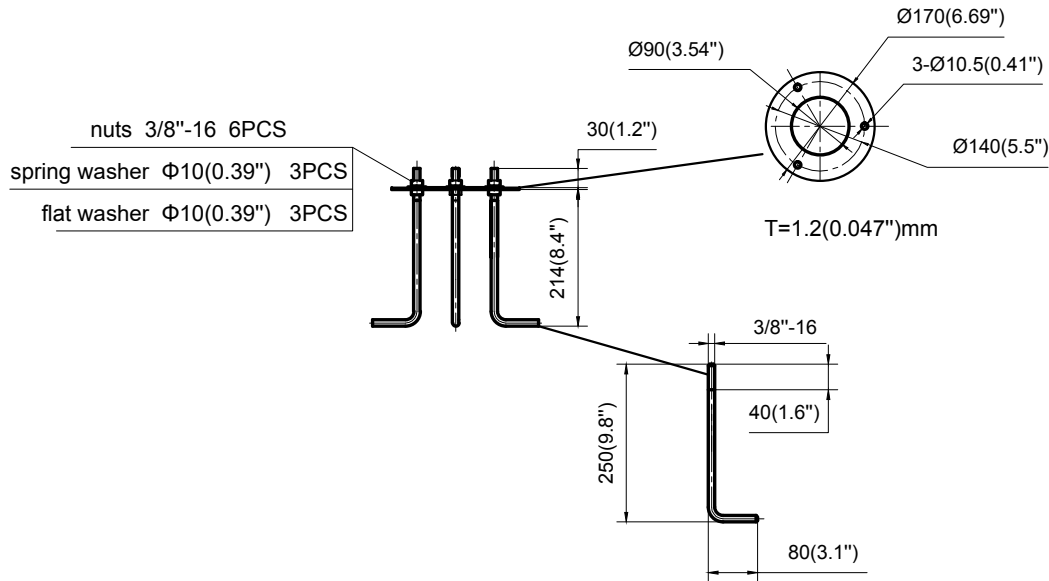
6" BOLLARDS

LED BOLLARD LIGHT

PARAFLEX does not warrant or represent that the information is free from errors or omission. The information may change without notice and PARAFLEX is not in any way liable for the accuracy of any information printed and stored or in any way interpreted or used.

PRODUCT SPECIFICATIONS (CONT.)

ANCHOR BOLTS



ITEM	SPECIFICATION	BL600	BL601	BL610	BL611		
GENERAL PERFORMANCE	Distribution	120°	150°	120°	150°		
	Input Power (W)	25W	25W	35W	25W	25W	35W
	Lumens Delivered (lm) at 5000k	1750	2500	3500	1750	2500	3500
	Efficacy (lm/W)	70	100	70	100		
	CRI	≥70					
	Lumen Maintenance (L70, TM-21 @ 250C)	L90 ≥ 36,000 hours L70 ≥ 50,000 hours					
	Color Temperature	3000K / 4000K / 5000K					
	Color Consistency	Proprietary binning for uniform color					
ELECTRICAL	Input Voltage	120-277V					
	Power Factor (120V / 277V)	≥0.95					
PHYSICAL	Weight (lbs)	14.3			17.6		
	Housing	Extruded Aluminum					
	Lens	Acrylic					
	Reflector	Aluminum					
	Mounting	Ground Installation					
	Operating Temperature	-4°F to 113°F					
	Humidity	20-85% RH, non-condensing					
CERTIFICATION	Certification	cETlus, LM79, LM80					
	Warranty	5 Years					

6" BOLLARDS

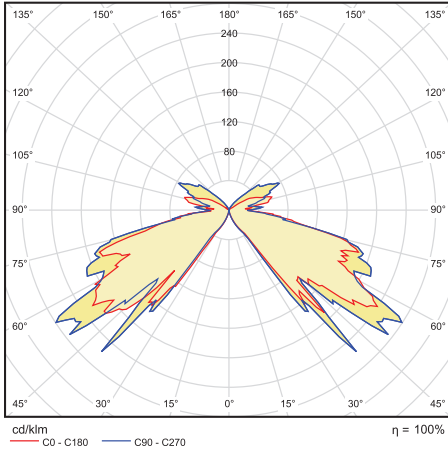
LED BOLLARD LIGHT

PARAFLEX
Fast Flexible Focused Lighting

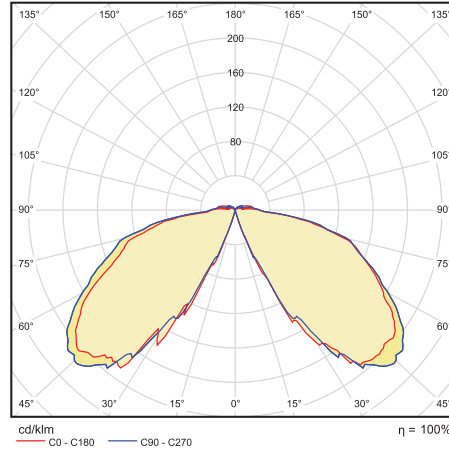
PARAFLEX does not warrant or represent that the information is free from errors or omission. The information may change without notice and PARAFLEX is not in any way liable for the accuracy of any information printed and stored or in any way interpreted or used.

PRODUCT SPECIFICATIONS (CONT.)

ISO PLOTS



BL600 & BL610, 120° DISTRIBUTION



BL601 & BL611, 150° DISTRIBUTION