

SQUARE LED BOLLARD INSTALLATION GUIDE

WARNING

IMPORTANT – This Bollard must be installed on the anchor bolts provided. Please see instructions for anchor bolt kit for more details.

RISK OF FIRE, ELECTRIC SHOCK, INJURY OR PROPERTY DAMAGE.

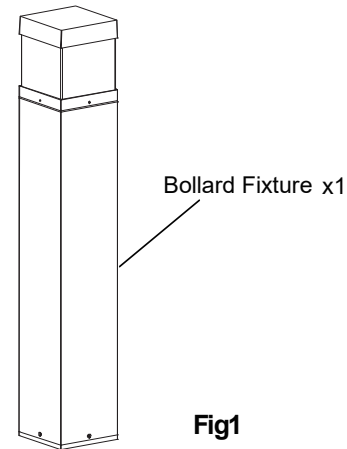
- Risk of electric shock--Disconnect power to equipment before installing or servicing. This equipment must be installed according to all applicable codes & ordinances.
- Installation and service of this equipment must be performed by qualified service personnel.
- Read these instructions before installing, servicing or maintaining this equipment.
- Save these instructions for maintaining and servicing.
- The installer must ensure that the foundation is stable and can support the luminaire's weight.
- The Installer must use proper means to secure the luminaire to the ground.

CAUTION

- **Sharp edges:** Wear gloves while handling or servicing this equipment.
- Inspect equipment for damage from shipping and handling.
- **Recommended cleaning:**
 - Wipe off dust with a dry, soft cloth. Remove greasy spots etc. with a soft cloth dampened in lukewarm water (<122°F/ 50°C) with a mild detergent.
 - Never use detergents containing abrasives and solvents.
 - Warning: Scouring powder and similar substances will scratch surfaces.

LUMINAIRE PREPARATION

Remove the luminaire (**Fig1**) and accessories (**Fig2**) from the carton and inspect luminaire for damage. Do not install a damaged luminaire.






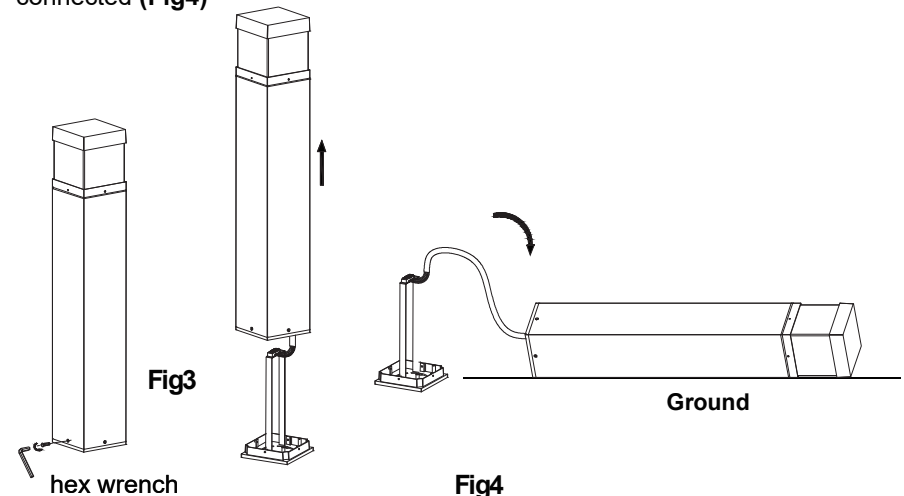
- A  Nut x8
- B  Spring Washer x4
- C  Flat Washer x8

Fig2

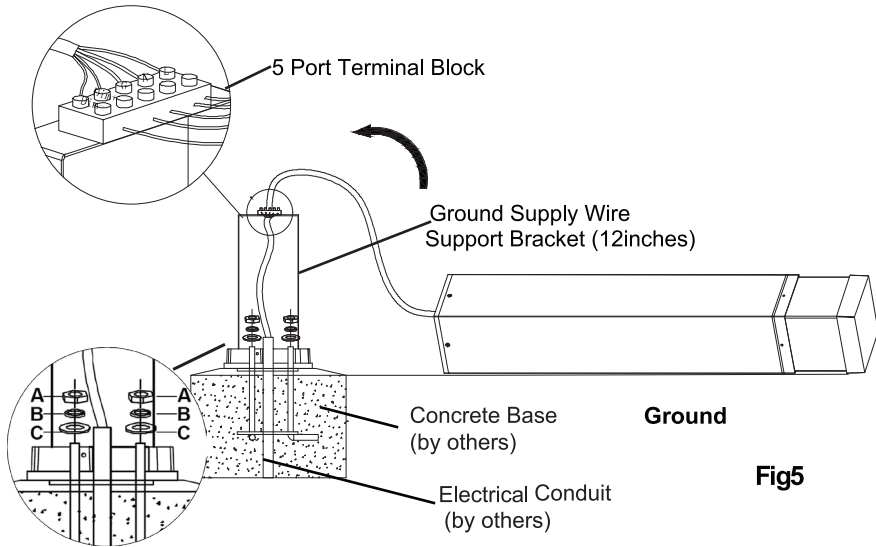
INSTALLING BOLLARD

- Disassemble the fixture by loosening the set screws x3 with hex wrench. (**Fig3**)
- Lay the fixture down by the side of the installed anchor bolts. Keep the wires connected (**Fig4**)



- **Note:** Can be installed by anchor bolt. See Anchor Bolt instructions. Any additional nuts and washers may be used to level the bollard.

- Place bollard base plate over anchor bolts and tighten nuts securing the base plate to the foundation.
- As the wires shown on (Fig5) will not be disconnected during installation, so please double check to make sure they are in good connection after the base installation.



- Assemble fixture, and tighten the set screwsx3 with hex wrench. (Fig6)



WIRING DIRGRAM

Class 1 wiring only.

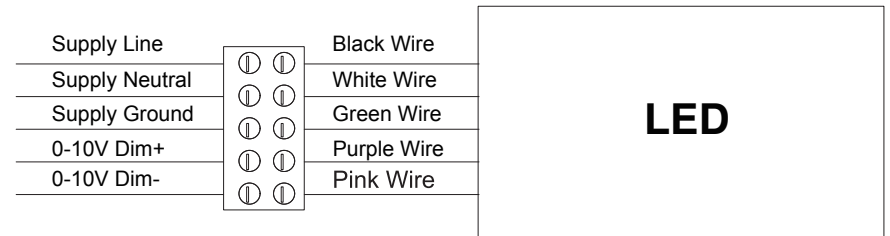


Fig7

SQUARE ANCHOR BOLT INSTALLATION

MOUNTING ACCESSORIES PREPARATION

Remove the accessories in Fig1 from the package, and make sure all parts in good condition and right qty.

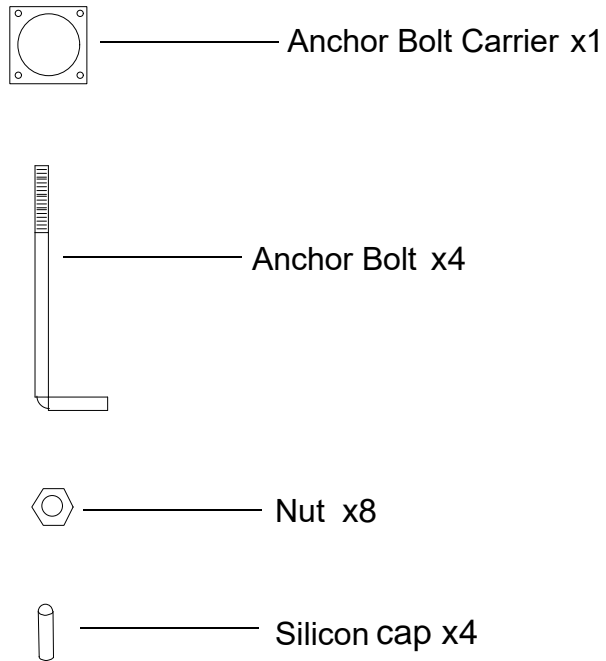


Fig1

INSTALLING ANCHOR BOLT

- Prepare site. Get the anchor bolt carrier assembled as Fig2 and protect the threads from concrete splash with silicon caps.
- Ensure that concrete base is suitable for the bollard load.
- Sink the anchor bolts into the concrete as Fig3 leaving the threaded portion 1-1/2~2" as Fig4 above the cement . And remove the silicon caps.

