

**ZFLEX
ZCL**

LED HIGH/LOW BAY/CANOPY



5 YEAR STANDARD WARRANTY | RATED LIFE: 50,000 HOURS+



HOUSING:

Die Cast Aluminum with Silver Powder Coat and Clear Acrylic Lens

MOUNTING:

Adjustable Mounting Plate

ENVIRONMENT:

Outdoor/Wet Location. IP66 Rated

DRIVER:



Mean Well brand HLG Constant Current 90~305VAC 47~63Hz Driver

CERTIFICATIONS:



UL Listed for USA and Canada. Conforms to UL-8750 and UL-1598. Certified to CSA22.2

ORDERING GUIDE

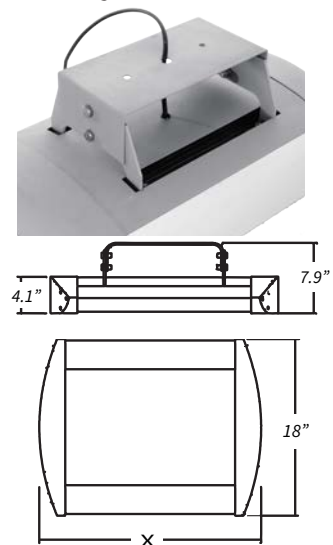
STANDARD CONFIGURATION: ZCL.100W.41K.170D

| MODEL | WATTS | COLOR TEMPERATURE (CCT) | OPTICS OPTIONS |
|-------|-------|---------------------------|-------------------------------|
| ZCL | 60W | 30K 3000K - Warm White | 40D 40° BEAM ANGLE - TYPE V |
| | 100W | 35K 3500K - Warm White | 80D 80° BEAM ANGLE - TYPE V |
| | 120W | 41K 4100K - Neutral White | 170D 170° BEAM ANGLE - TYPE V |
| | 150W | 50K 5000K - Cool White | T4 TYPE IV |
| | 200W | 60K 6000K - Daylight | T3 TYPE III |
| | 250W | | T2 TYPE II |
| | | | T1 TYPE I |

*Add ".EM" for 1,200 lm EM system

MOUNTING DETAIL & DIMENSIONS

Adjustable Mounting Plate



SPECIFICATIONS

| SYSTEM WATTS | DELIVERED LUMENS | EFFICACY | MODULES | X" WIDTH |
|--------------|------------------|----------|---------|----------|
| 60W | 6,900 lm | 115 lm/W | 2 | 10.7" |
| 100W | 11,780 lm | 115 lm/W | 3 | 13.5" |
| 120W | 14,130 lm | 115 lm/W | 4 | 16.3" |
| 150W | 17,240 lm | 115 lm/W | 5 | 19.1" |
| 200W | 23,220 lm | 115 lm/W | 6 | 21.9" |
| 250W | 28,800 lm | 115 lm/W | 7 | 24.7" |

| COLOR TEMPERATURE | LUMEN MULTIPLIER | CRI |
|-------------------|------------------|-----|
| 3000K | 0.90 | >70 |
| 4100K | 1.00 | >75 |
| 6000K | 1.11 | >70 |

*Specifications based on 4100K color temperature. May be subject to change without notice. DLC does not apply to 250W or 6000K configurations.