

FL290

BULLET LED FLOODLIGHT LUMINAIRE



PROJECT

DATE

TYPE

NOTES

REV: 18 0328



28 WATT VERSION

HEAVY-DUTY, IP-65 RATED HOUSING

Die Cast Aluminum Housing with Durable, Dark Bronze Powder Coat Finish, and Polycarbonate Lens

WET LOCATION RATED

Engineered and Constructed for Exterior Environments

MULTIPLE MOUNTING OPTIONS

Multiple Mounting Options make the FL290 a Versatile Luminaire for Small Scale Flood Lighting Applications

120-277V STANDARD

PRODUCT APPLICATIONS

- Building Entrances
- Walkways
- Landscape
- Flag Poles
- Signage
- Security

ORDERING GUIDE

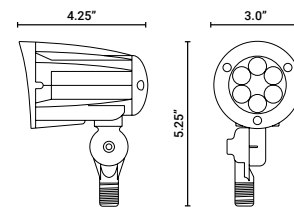
Sample Part # FL290 - 28W - 30D - 50K - BZ - KM

MODEL	WATTAGE	OPTICS	COLOR TEMPERATURE (CCT)	HOUSING COLOR	MOUNTING
FL290	15W	30D NARROW (30°) BEAM	30K 3000K - WARM WHITE	BZ BRONZE (STANDARD)	KM KNUCKLE MOUNT (STANDARD) NPS 1/2" THREADED-END
	28W		50K 5000K - COOL WHITE		
	42W	60D MEDIUM (60°) BEAM			

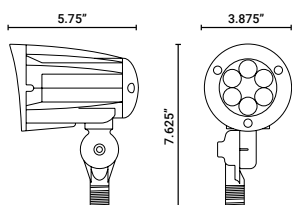
PRODUCT SPECIFICATIONS

WATTAGE	CCT	DELIVERED LUMENS	EFFICACY	CRI
15W	3000K	1,536 LM	107 LM/W	>80
15W	5000K	1,700 LM	113 LM/W	>80
28W	3000K	2,723 LM	106 LM/W	>80
28W	5000K	3,200 LM	114 LM/W	>80
42W	3000K	4,204 LM	107 LM/W	>80
42W	5000K	4,800 LM	114 LM/W	>80

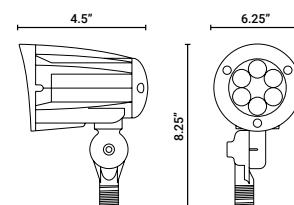
15W PRODUCT DIMENSIONS



28W PRODUCT DIMENSIONS



42W PRODUCT DIMENSIONS



FL290

BULLET LED FLOODLIGHT LUMINAIRE

PARAFLEX
Fast Flexible Focused Lighting

PARAFLEX does not warrant or represent that the information is free from errors or omission. The information may change without notice and PARAFLEX is not in any way liable for the accuracy of any information printed and stored or in any way interpreted or used.

PRODUCT SPECIFICATIONS (CONT.)

HOUSING CONSTRUCTION

Heavy Duty Die Cast Aluminum Housing Gasketed to Provide IP65 rating when Paired with Lens

LENS CONSTRUCTION

Durable UV- and Heat Resistant Polycarbonate

DIMENSIONS

3 sizes- see diagrams

FINISH

High Quality Dark Bronze Powder Coat Rated for Outdoor Locations

VOLTAGE

120-277V Input Standard. THD <20% Power Factor >90%

INSTALLATION

Standard mounting is ½" knuckle. Also available with a ground spike or canopy mounting kit.

OPTICS

Narrow beam standard. Medium beam spread is available by special order. Contact factory for details

CERTIFICATIONS

cULus conforms to UL 1598 and 8750 conforms to CSA 22.2 & DLC Standard Listed. Complies with FCC (Part 15, Class B). Complies with EN61000-4-5, surge immunity test (1kV).

OPERATING TEMPERATURE

Wet Location Listed. Suitable for -30C to 40C ambient temperatures

LUMEN MAINTENANCE

L70 rating of over 69,000 hours

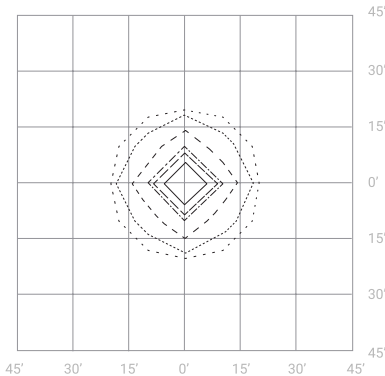
WARRANTY

Standard 5-Year Warranty

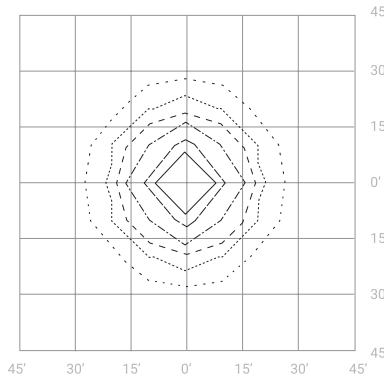
PHOTOMETRICS

FOOT CANDLES:

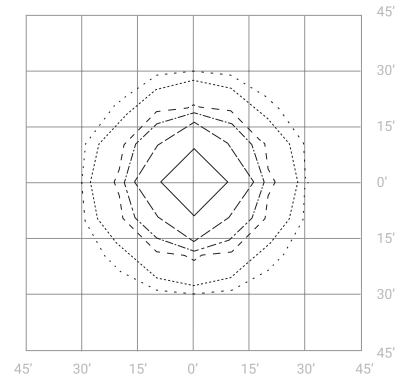
5.0 2.0 1.0 0.5 0.2 0.1



15W - 50K
1,700 LUMENS



28W - 50K
3,200 LUMENS



42W - 50K
4,800 LUMENS