

# AL590

LED AREA & POST TOP LUMINAIRE



PROJECT

DATE

TYPE

NOTES

REV: 19 0215



STRAIGHT ARM MOUNT VERSION

**HEAVY-DUTY, IP-65 RATED HOUSING**

Die Cast Aluminum Housing with a Durable, Dark Bronze Powder Coat Finish, and a Heat-Resistant Polycarbonate Lens

**WET LOCATION RATED**

Engineered and Constructed for Exterior Environments

**MULTIPLE MOUNTING OPTIONS**

Multiple Mounting Options make the AL590 a Versatile Luminaire for Medium & Large Scale Lighting Applications

**120-277V STANDARD**

**PRODUCT APPLICATIONS**

- Parking Lots
- Walkways
- Buildings
- Signage
- Playgrounds
- Parks & Recreational Fields
- Loading Docks

When Specifying Options, Please Check with Factory for Availability and Lead-Time.

**ORDERING GUIDE**

**STEP 1 - SELECT THE LIGHT FIXTURE**

Sample Part # AL590 - 150W - 40K - T5 - BZ - PC

MODEL	WATTAGE	COLOR TEMPERATURE (CCT)	OPTICS	HOUSING COLOR	OPTIONS & ACCESSORIES
AL590	70W	30K 3000K - WARM WHITE	T3 TYPE III	BZ BRONZE STANDARD	PC 120-277V PHOTOCELL
	100W	40K 4100K - NEUTRAL WHITE	T4 TYPE IV	CC CUSTOM COLOR	MS MOTION SENSOR
	150W	50K 5000K - COOL WHITE	T5 TYPE V (STAN)		D1 0-10V DIMMING
	180W			V1 480/347V INPUT (120-277V STANDARD)	
	220W			SP SURGE PROTECTOR 10 KV	
	310W				

**STEP 2 - SELECT THE MOUNTING OPTION**

Sample Part # AL590 - TM - FE - INST

MODEL	MOUNTING	INSTALLATION
AL590	TM TRUNNION MOUNT	FE-INST FIELD INSTALLED (STANDARD)
	SA STRAIGHT-ARM MOUNT	FA-INST FACTORY INSTALLED
	SF SLIP-FITTER MOUNT	

SEE PAGE 4 FOR POLE ADAPTERS

# AL590

LED AREA & POST TOP LUMINAIRE

**PARAFLEX**  
Fast Flexible Focused Lighting

PARAFLEX does not warrant or represent that the information is free from errors or omission. The information may change without notice and PARAFLEX is not in any way liable for the accuracy of any information printed and stored or in any way interpreted or used.

## PRODUCT SPECIFICATIONS

### HOUSING CONSTRUCTION

One piece die-cast aluminum body with die-cast hinge panel for easy installation access. This powerful luminaire has been designed to meet diversified installation requirements. With built-in heat sinks on the back of the luminaire, AL590 provides truly spectacular light while keeping the LEDs at a cool temperature.

### DIMENSIONS

2 sizes- see diagrams

### FINISH

High Quality Dark Bronze Powder Coat Rated for Outdoor Locations

### VOLTAGE

120-277V Input Standard. THD <20% Power Factor >90%

### INSTALLATION

Mounting available with the trunnion mount, straight arm, slip fitter or U-bracket mount. A wide range of pole adapters are available and can be ordered separately.

### OPERATING TEMPERATURE

Wet Location Listed. Suitable for -30C to 40C ambient temperatures

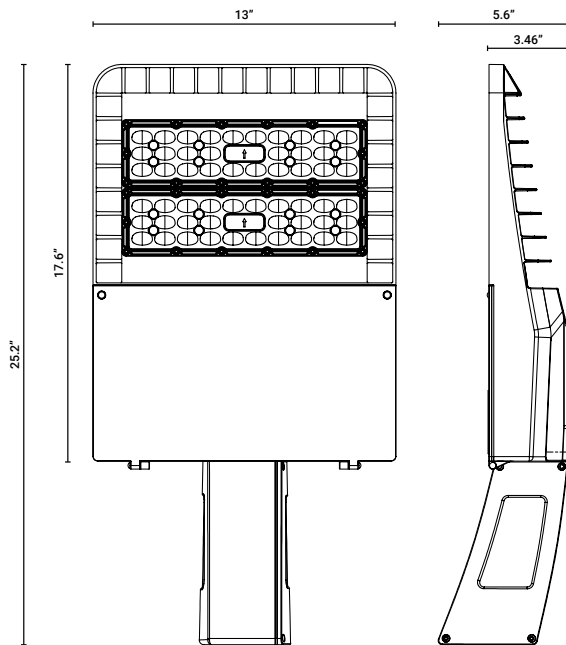
### LUMEN MAINTENANCE

L70 rating of over 69,000 hours

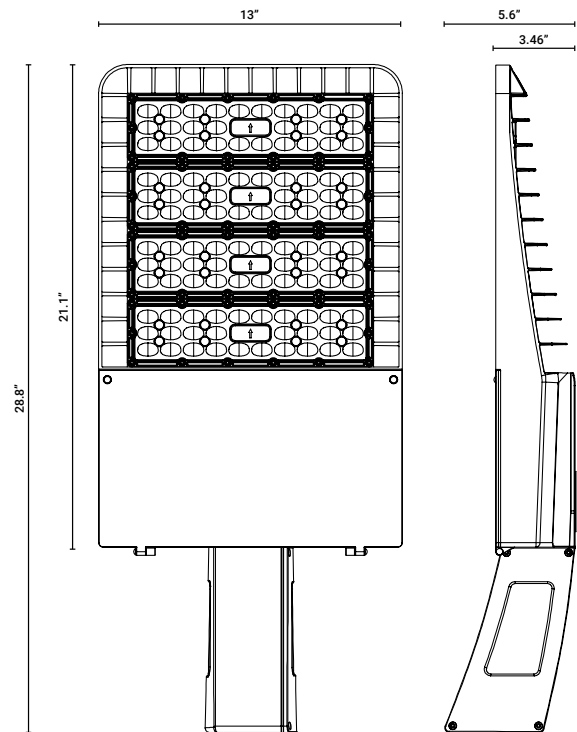
### WARRANTY

Standard 5-Year Warranty

70W - 180W PRODUCT DIMENSIONS



220W - 310W PRODUCT DIMENSIONS



# AL590

LED AREA & POST TOP LUMINAIRE

**PARAFLEX**  
Fast Flexible Focused Lighting

PARAFLEX does not warrant or represent that the information is free from errors or omission. The information may change without notice and PARAFLEX is not in any way liable for the accuracy of any information printed and stored or in any way interpreted or used.

## PRODUCT SPECIFICATIONS (CONT.)

WATTAGE	CCT	OPTICS	DELIVERED LUMENS	EFFICACY	CRI	EPA	WEIGHT
70W	4000K	T3	9,351 LM	129 LM/W	>80	0.72	14 LBS
70W	5000K	T3	9,878 LM	136 LM/W	>80	0.72	14 LBS
70W	4000K	T4	9,450 LM	131 LM/W	>80	0.72	14 LBS
70W	5000K	T4	9,913 LM	140 LM/W	>80	0.72	14 LBS
70W	4000K	T5	9,801 LM	131 LM/W	>80	0.72	14 LBS
70W	5000K	T5	10,136 LM	139 LM/W	>80	0.72	14 LBS
100W	4000K	T3	12,334 LM	124 LM/W	>80	0.72	14 LBS
100W	5000K	T3	12,947 LM	129 LM/W	>80	0.72	14 LBS
100W	4000K	T4	12,425 LM	125 LM/W	>80	0.72	14 LBS
100W	5000K	T4	13,143 LM	131 LM/W	>80	0.72	14 LBS
100W	4000K	T5	12,766 LM	129 LM/W	>80	0.72	14 LBS
100W	5000K	T5	13,532 LM	135 LM/W	>80	0.72	14 LBS
150W	4000K	T3	17,785 LM	120 LM/W	>80	0.72	14 LBS
150W	5000K	T3	17,785 LM	120 LM/W	>80	0.72	14 LBS
150W	4000K	T4	17,972 LM	121 LM/W	>80	0.72	14 LBS
150W	5000K	T4	17,972 LM	121 LM/W	>80	0.72	14 LBS
150W	4000K	T5	18,510 LM	125 LM/W	>80	0.72	14 LBS
150W	5000K	T5	18,510 LM	125 LM/W	>80	0.72	14 LBS
180W	4000K	T3	20,818 LM	116 LM/W	>80	0.72	14 LBS
180W	5000K	T3	20,818 LM	116 LM/W	>80	0.72	14 LBS
180W	4000K	T4	20,687 LM	119 LM/W	>80	0.72	14 LBS
180W	5000K	T4	20,687 LM	116 LM/W	>80	0.72	14 LBS
180W	4000K	T5	21,521 LM	120 LM/W	>80	0.72	14 LBS
180W	5000K	T5	21,521 LM	120 LM/W	>80	0.72	14 LBS
220W	4000K	T3	30,298 LM	138 LM/W	>80	0.95	16 LBS
220W	5000K	T3	30,298 LM	138 LM/W	>80	0.95	16 LBS
220W	4000K	T4	30,391 LM	138 LM/W	>80	0.95	16 LBS
220W	5000K	T4	30,391 LM	139 LM/W	>80	0.95	16 LBS
220W	4000K	T5	31,129 LM	142 LM/W	>80	0.95	16 LBS
220W	5000K	T5	31,129 LM	142 LM/W	>80	0.95	16 LBS
310W	4000K	T3	36,891 LM	120 LM/W	>80	0.95	16 LBS
310W	5000K	T3	36,891 LM	120 LM/W	>80	0.95	16 LBS
310W	4000K	T4	37,781 LM	123 LM/W	>80	0.95	16 LBS
310W	5000K	T4	37,781 LM	123 LM/W	>80	0.95	16 LBS
310W	4000K	T5	38,496 LM	125 LM/W	>80	0.95	16 LBS
310W	5000K	T5	38,496 LM	125 LM/W	>80	0.95	16 LBS

## POLE ADAPTERS

*(Please check with factory for availability and lead-time)*

### HORIZONTAL TENON POLE FITTERS



**180° TWIN SQUARE  
HORIZONTAL TENON**

4" - 2SHT180D4  
5" - 2SHT180D5



**90° TWIN SQUARE  
HORIZONTAL TENON**

4" - 2SHT90D4  
5" - 2SHT90D5



**90° TRIPLE SQUARE  
HORIZONTAL TENON**

4" - 3SHT90D4  
5" - 3SHT90D5



**90° QUAD SQUARE  
HORIZONTAL TENON**

4" - 4SHT90D4  
5" - 4SHT90D5

### BULL HORNS



**180° DOUBLE BULLHORN**

4" & 5" - 2BH180D



**180° TRIPLE BULLHORN**

4" & 5" - 3BH180D



**180° QUAD BULLHORN**

4" & 5" - 4BH180D



**TWIN SQUARE  
VERTICAL TENON**

4" - 2SVT4  
5" - 2SVT5



**TRIPLE SQUARE  
VERTICAL TENON**

4" - 3SVT4  
5" - 3SVT5



**180° QUAD SQUARE  
VERTICAL TENON**

4" - 4SVT1804  
5" - 4SVT1805



**90° QUAD SQUARE  
VERTICAL TENON**

4" - 4SVT904  
5" - 4SVT905

### WALL MOUNTING BRACKETS



**WALL MOUNT BRACKET**

4" & 5" - 1WMB



**WALL MOUNT 90° BRACKET**

4" & 5" - 1WMB90D



**SINGLE SQUARE  
VERTICAL TENON**

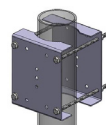
4" - 1SVT4  
5" - 1SVT5

### VERTICAL TENON POLE TOP FITTERS

### ROUND POLE ADAPTERS



**ROUND POLE ADAPTER**  
RPA01



**ROUND POLE CLAMP**  
RPC01