

# PARAFLEX

Fast Flexible Focused Lighting

SERIES-3600-CANOPIES / GARAGE

**PFX-3605**



## Available Options



Patented Smart Controller



Optional photo control

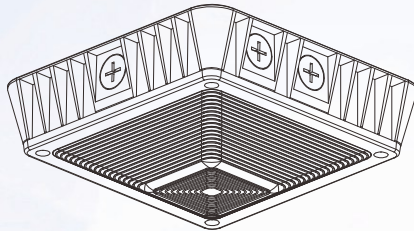


Optional Motion Sensor

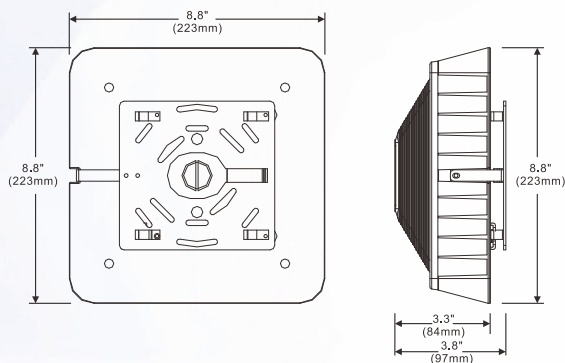


Quick mount

## Line Drawing



## Dimensions



## Product Description:

This canopy light has a slim and low profile design which provides a safe and visually appealing lighting experience. Luminaire can be mounted directly or with 3/4" pendant mounting option. Quick mount structure allows for contractors to work safely and easily in the confined space areas.

With the patented smart controller, this canopy allows multiple wattages and CCT to choose from based on different environments. It is the perfect upgrade from a 100W metal halide lamp with the benefit of low maintenance cost.

Optional mounting and Kelvin color\* with adder.

## Features:

### LISTING

UL and CUL listed for wet locations

### HOUSING

Solid construction die-cast aluminum body

### FINISH

UV stabilized power coated finish

### LENS

High impact PC diffuser

### MOUNT

Unique quick mount design

### OPTIONS

Glare - free

Finish - Bronze. Color option with adder

Optional Photocontrol

Optional Motion Sensor

347-480V option with adder

PARAFLEX does not warrant or represent that the information is free from errors or omission. The information may change without notice and PARAFLEX is not in any way liable for the accuracy of any information printed and stored or in any way interpreted or used.

A 3 Luger Rd. #1 - Denville, NJ 07834

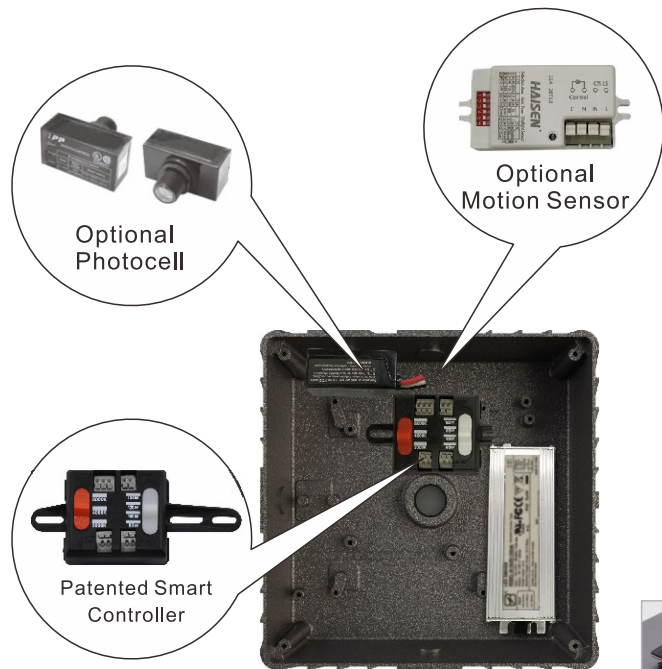
E info@paraflex.com

W www.paraflex.com

P 973-340-6040

 Fast Flexible Focused Lighting

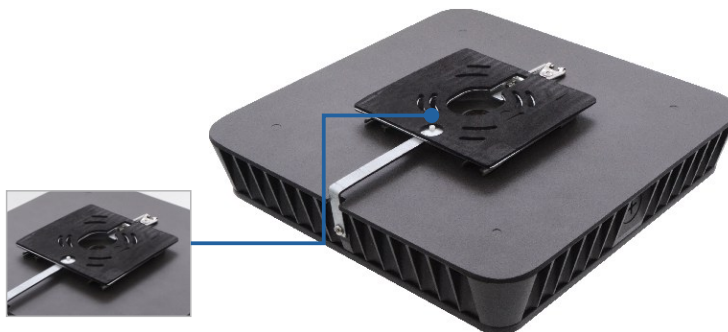
### Product Description:



Solid constructed die-cast aluminum housing



Diffused PC lens to provide efficient distribution of light



Innovative quick mount system for easy mounting and installation.

### Performance Data

Model NO.	System Watts	Lumens	Efficacy
PFX-3605	8/16/23/26W	3349 lm**	136.5 lm/W*
PFX-3605	14/25/37/42W	5451 lm**	136 lm/W*

\*\*Lumen shows the highest wattage  
\*Efficacy based on 4000K

### Specification:

Example: LED-3945

Model No.	System Watts	Input Voltage	CRI	Color Temp	Option	Finish	Starting Temp
PFX-3605	026=26W 042=42W	UNV=120-277V	7=70+	TK=5000 K TK=4000 K TK=3000 K	Photocontrol FAO smart controller Occupancy sensor	Bronze	-40°C ~ +50°C

\* Different LED Kelvin temperature available with 4-6 week lead time. Please call for a quote.

\*\* DISCLAIMER: This test report was produced in accordance with IES LM-79 photometric testing protocol for luminaires, using a single representative test fixture. Actual production units may vary from the values reported here by up to ±10%.

PARAFLEX does not warrant or represent that the information is free from errors or omission. The information may change without notice and PARAFLEX is not in any way liable for the accuracy of any information printed and stored or in any way interpreted or used.