

# 8" BOLLARDS

LED BOLLARD LIGHT

PROJECT

DATE

TYPE

NOTES



REV: 12 2020



BL800      BL801      BL810      BL811      BL820

**DIE-CASTED ALUMINUM HOUSING**

Made corrosion and shock resistant. Top cover design is self-oriented for easy installation and maintenance. Can replace up to 120W pulse-start Metal Halide lamp.

**FEATURES**

50/60Hz driver. Lens angles: 120°/150°. Anchor bolts with hardware and template supplied as standard.

**120-277V STANDARD**

**PRODUCT APPLICATIONS**

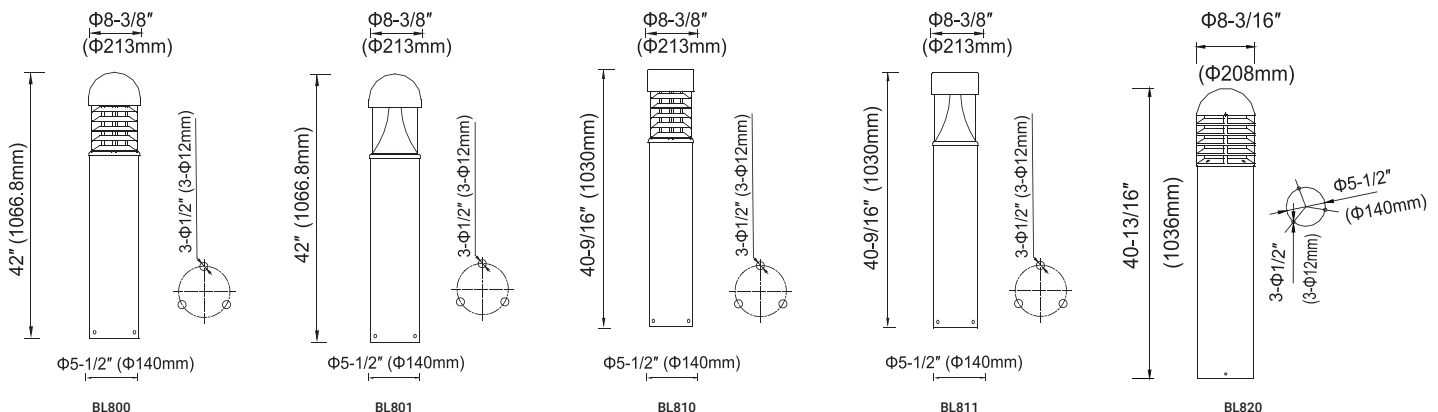
- Walkways
- Business Districts
- Playgrounds
- Parks & Recreational Fields
- Residential Areas
- Commercial Areas

*When Specifying Options, Please Check with Factory for Availability and Lead-Time.*

**ORDERING GUIDE** Sample Part # BL800 - 25W - 30K - 120 - BZ

MODEL	WATTAGE	COLOR TEMPERATURE (CCT)	DISTRIBUTION	HOUSING COLOR
BL800	25W 25 WATTS	30K 3000K WARM WHITE	120 120°	BZ BRONZE (RAL8019)
BL810	35W 35 WATTS	40K 4000K NEUTRAL WHITE		BL BLACK (RAL7016)
BL820		50K 5000K COOL WHITE		
BL801	25W 25 WATTS	30K 3000K WARM WHITE	150 150°	BZ BRONZE (RAL8019)
BL811	35W 35 WATTS	40K 4000K NEUTRAL WHITE		BL BLACK (RAL7016)
	50W 50 WATTS	50K 5000K COOL WHITE		
	60W 60 WATTS			

**PRODUCT SPECIFICATIONS**



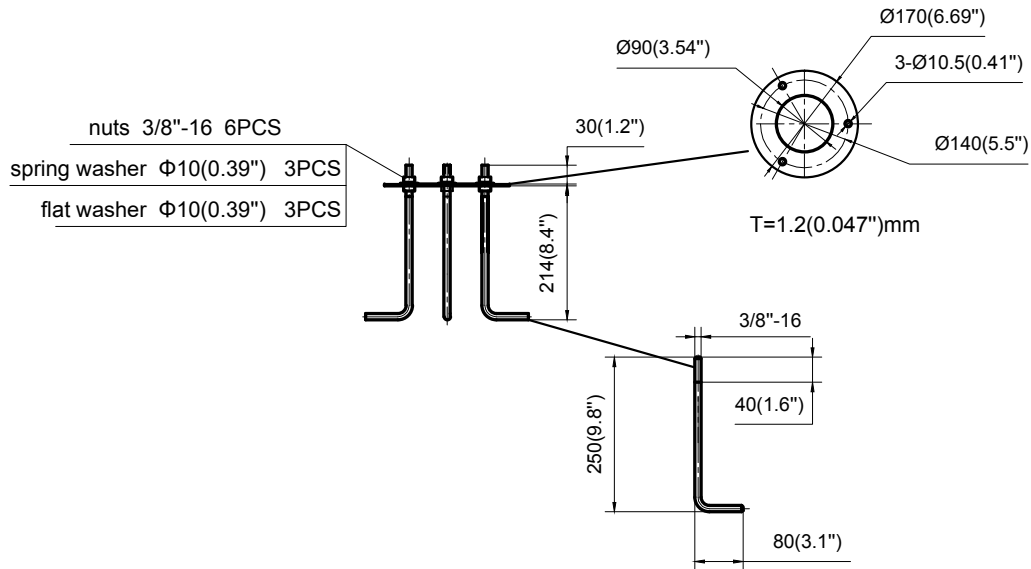
PARAFLEX does not warrant or represent that the information is free from errors or omission. The information may change without notice and PARAFLEX is not in any way liable for the accuracy of any information printed and stored or in any way interpreted or used.

# 8" BOLLARD

LED BOLLARD LIGHT

PARAFLEX does not warrant or represent that the information is free from errors or omission. The information may change without notice and PARAFLEX is not in any way liable for the accuracy of any information printed and stored or in any way interpreted or used.

## PRODUCT SPECIFICATIONS (CONT.) ANCHOR BOLTS



ITEM	SPECIFICATION	BL800		BL801				BL810		BL811				BL820	
		Distribution		Distribution				Distribution		Distribution				Distribution	
GENERAL PERFORMANCE	Distribution	120°		150°				120°		150°				120°	
	Input Power (W)	25W	35W	25W	35W	50W	60W	25W	35W	25W	35W	50W	60W	25W	35W
	Lumens Delivered (lm) at 5000k	1750	2450	2500	3500	5000	6000	1750	2450	2500	3500	5000	6000	1000	1400
	Efficacy (lm/W)	70		100				70		100				40	
	CRI	≥70													
	Lumen Maintenance (L70, TM-21 @ 250C)	L90 ≥ 36,000 hours L70 ≥ 50,000 hours													
	Color Temperature	3000K / 4000K / 5000K													
	Color Consistency	Proprietary binning for uniform color													
ELECTRICAL	Input Voltage	120-240/277V													
	Power Factor (120V / 277V)	≥0.95													
PHYSICAL	Weight (lbs)	25.6		25.3				26.5		25.8				23.1	
	Housing	Extruded Aluminum													
	Lens	Acrylic													
	Reflector	Aluminum													
	Mounting	Ground Installation													
	Operating Temperature	-4°F to 113°F													
	Humidity	20-85% RH, non-condensing													
CERTIFICATION	Certification	cETlus, LM79, LM80													
	Warranty	5 Years													

# 8" BOLLARD

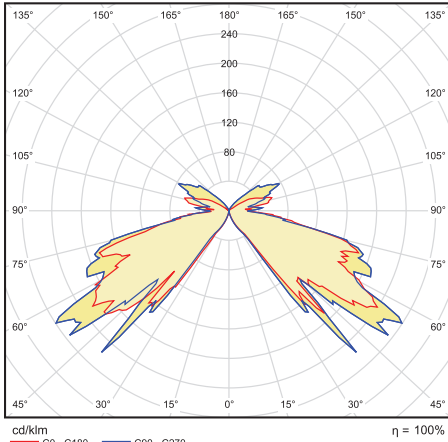
LED BOLLARD LIGHT

**PARAFLEX**  
Fast Flexible Focused Lighting

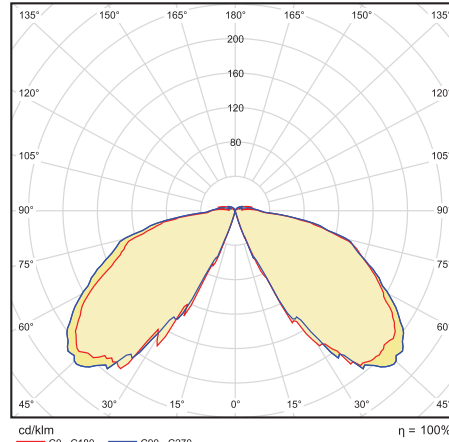
PARAFLEX does not warrant or represent that the information is free from errors or omission. The information may change without notice and PARAFLEX is not in any way liable for the accuracy of any information printed and stored or in any way interpreted or used.

## PRODUCT SPECIFICATIONS (CONT.)

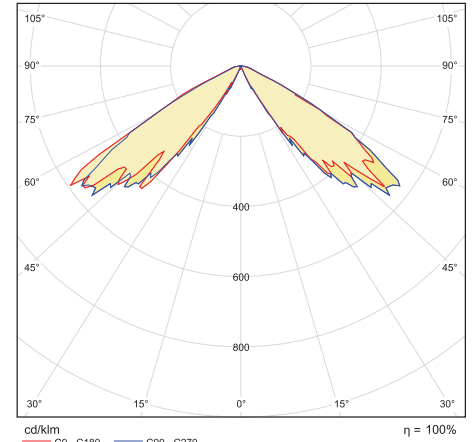
### ISO PLOTS



BL800 & BL 810, 120° DISTRIBUTION



BL801 & BL 811, 150° DISTRIBUTION



BL820, 120° DISTRIBUTION