

# PARAFLEX

Fast Flexible Focused Lighting

## SERIES - 3100-Wall Pack

**PFX-3117**



### APPLICATIONS

	Retails & Supermarkets
	Hotels & Restaurants
	Commercial Buildings
	Offices And Showrooms
	Schools & Colleges



PARAFLEX does not warrant or represent that the information is free from errors or omission. The information may change without notice and PARAFLEX is not in any way liable for the accuracy of any information printed and stored or in any way interpreted or used.

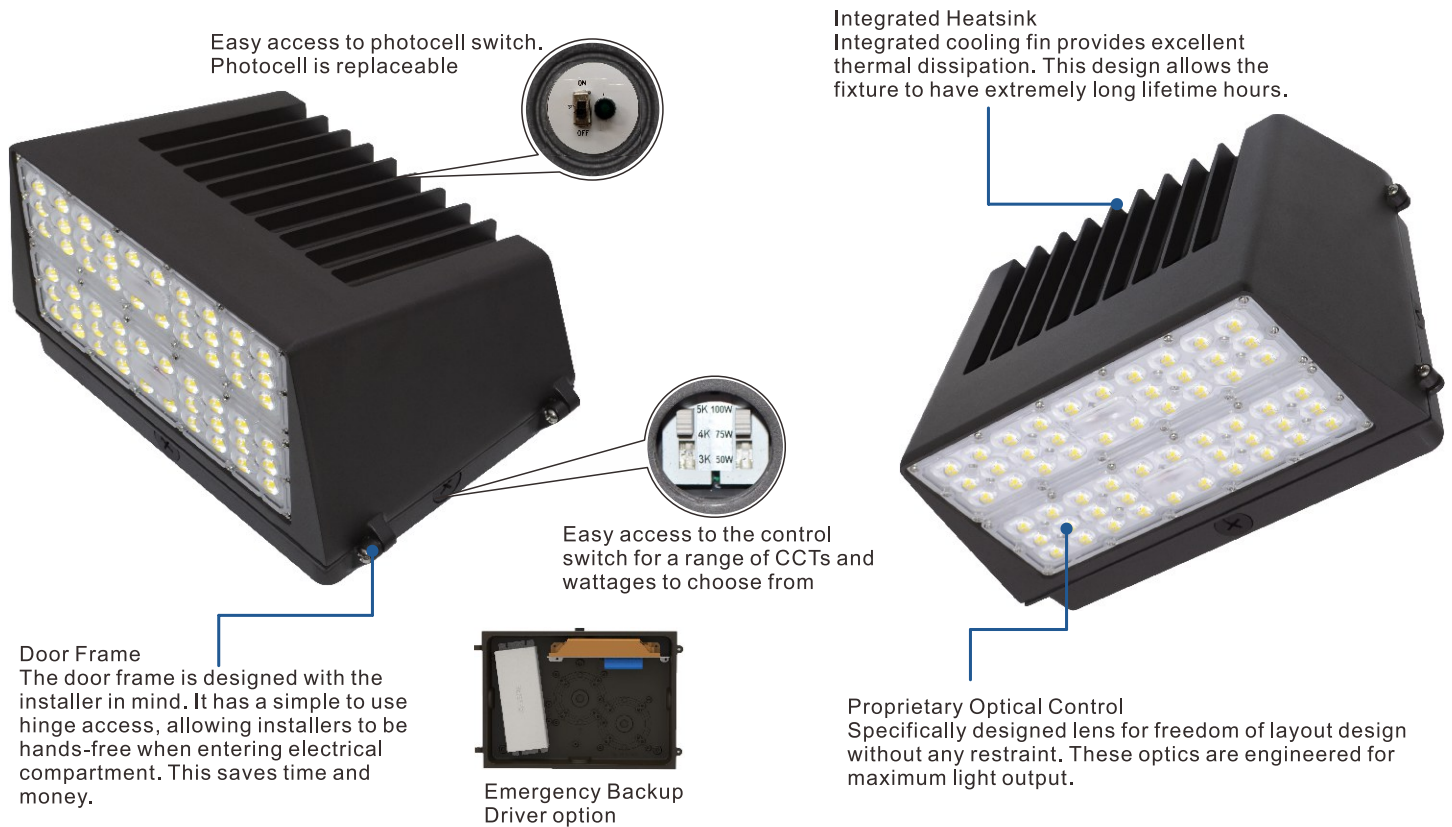
A 3 Luger Rd. #1 - Denville, NJ 07834

E [info@paraflex.com](mailto:info@paraflex.com)

W [www.paraflex.com](http://www.paraflex.com)

P 973-340-6040

### Product Description:



### Product Description:

The PFX-3117 is a powerful luminaire that has been designed to meet a wide variety of locations. With the various mounting options it can be used as a flood light or as an area light. With the LEDs mounted on the large heatsink, the fixture can maintain a high lumen output while keeping the LED modules at a cool temperature.

Optional Kelvin color\* with adder.

### Features:

**LISTING**

UL and CUL listed for wet locations

**HOUSING**

Heavy duty die-cast aluminum powder coating, corrosion resistant hardware

**FINISH**

UV stabilized powder coated finish

**LENS**

Heat and impact PC Lens

**OPTIONS**

Wide / narrow distribution available with adder

Finish - Bronze. Color option with adder



PARAFLEX does not warrant or represent that the information is free from errors or omission. The information may change without notice and PARAFLEX is not in any way liable for the accuracy of any information printed and stored or in any way interpreted or used.

### Performance Data

Model NO.	System Watts	Lumens	LPW
PFX-3117-L140	60/80/100W	14127 lm**	135.8 lm/w
PFX-3117-L224	80/100/120W	17719 lm**	147.6 lm/w

### Specification:

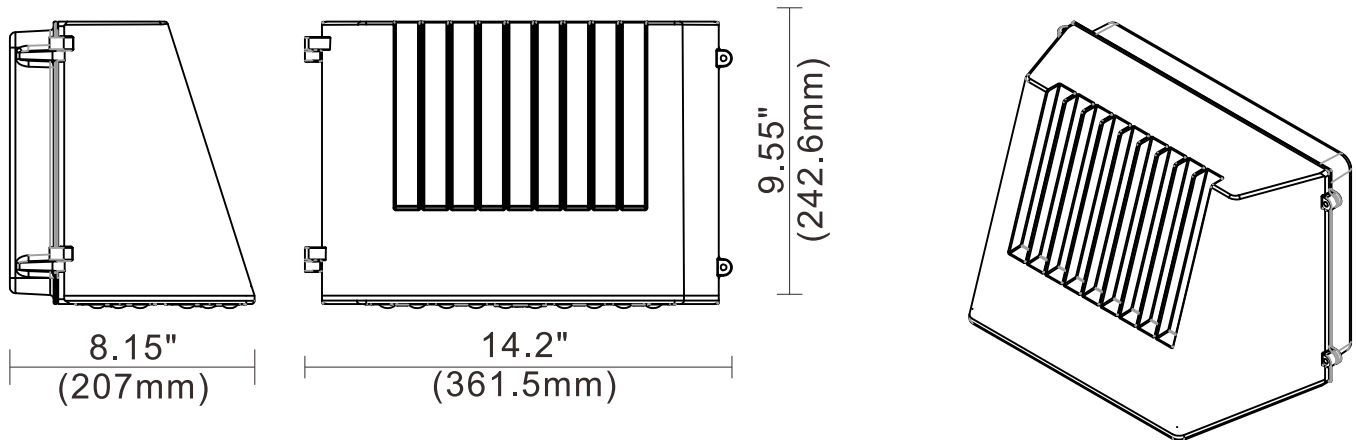
Example: PFX-3117

Model No.	System Watts	Input Voltage	CRI	Color Temp	Distribution	Option	Finish	Starting Temp
						Accessories		
PFX-3117-L140	100=100W	UNV=120-277V	7=70+	40=4000 K	T3=Type III	PE=Photocontrol EM=Emergency Driver FAO=FAO Controller	BZ=Bronze	-40°C
PFX-3117-L224	120=120W			50=5000 K	T4=Type IV			

\* Different LED Kelvin temperature available with 4-6 week lead time. Please call for a quote.

\*\* DISCLAIMER: This test report was produced in accordance with IES LM-79 photometric testing protocol for luminaires, using a single representative test fixture. Actual production units may vary from the values reported here by up to ±10%.

### Dimension:



PARAFLEX does not warrant or represent that the information is free from errors or omission. The information may change without notice and PARAFLEX is not in any way liable for the accuracy of any information printed and stored or in any way interpreted or used.