

Project:	
Type:	
Catalog #:	

STANDARD



FEATURES

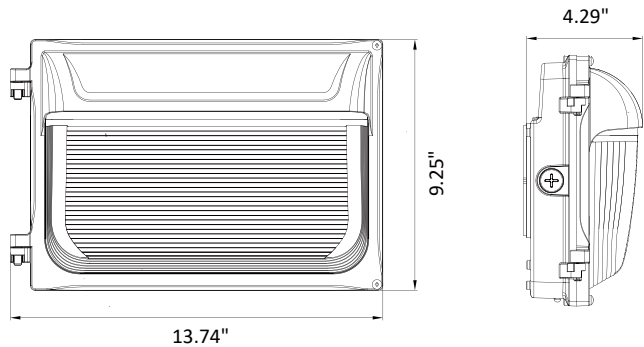
- Field selectable 3000k (warm white), 4000k (neutral white), and 5000k (cool white) color temperatures.
- Field selectable 80Watts, 100Watt, and 120Watts power.
- Providing NEMA 4 x 6 light distribution.
- Replace up to 400W metal halide fixtures
- Integrated bypass photocell for dusk-to-dawn operation
- 0-10vdc dimming drivers are standard.
- Universal 120-277 AC voltage (50-60Hz) is standard.
- Power factor > 0.90.
- Color rendering index (Ra) > 80.
- Cast aluminum housing with dark bronze, powder coat finish.
- Prismatic borosilicate glass lens.
- 1/2" trade-size removable plug on the sides and back
- Easy installation in new construction or retrofit applications.



WARRANTY & LISTINGS

- cULus listed for wet locations in ambient temperatures from -20°C to 45°C (-4°F to 113°F).
- IP65 rated for ingress protection.
- DLC premium approved.
- Complies with FCC
- Surge protection = 6kV.
- 5-year warranty of all electronics and housing.

DIMENSIONS



ORDERING GUIDE

PFX-3130-120W-CCT-BZ-27V-D1-PC

MODEL	POWER TUNABLE WATTAGE	COLOR TEMPERATURE	HOUSING COLOR	VOLTAGE	DIMMING	OPTIONS & ACCESSORIES
PFX-3130	120W 120/100/80W Tunable	CCT 3K/4K/5K Selectable	BZ BRONZE (Std.)	27V 120-277V	D1 0-10V DIMMING	PC PHOTOCELL (Std.) EM EMERGENCY BATTERY PACK

PARAFLEX does not warrant or represent that the information is free from errors or omission. The information may change without notice and PARAFLEX is not in any way liable for the accuracy of any information printed and stored or in any way interpreted or used.

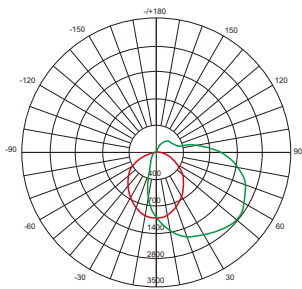
ELECTRICAL DATA

Model	Watts Selectable	Efficacy	Lumen Output	Volt	CCT	CRI	DIM	Beam Angle	Lamps Efficiency	Input Current 120V	277V	PF	Junction Temperature
PFX-3130	80W	130LM/W	10400LM	120-277V	30/40/50K Selectable	>80	0-10V	120°	≥90%	0.66A	0.28A	>0.9	<75°
	100W	130LM/W	13000LM	120-277V	30/40/50K Selectable	>80	0-10V	120°	≥90%	0.83A	0.36A	>0.9	<75°
	120W	130LM/W	15600LM	120-277V	30/40/50K Selectable	>80	0-10V	120°	≥90%	1.0A	0.43A	>0.9	<75°

Remarks: All above efficiency and lumens are subject to 5000K, please check IES files for accurate data

DISTRIBUTION DIAGRAM

PFX-3130



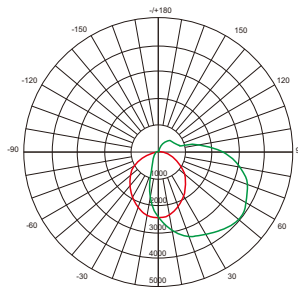
AVERAGE BEAM ANGLE[50%]: 118.3°

UNIT:CD

Lumens:15600LM
Test Number:120W
Test Number:5000K

— C0/180,113.7
— C30/210,100.1
— C60/240,108.6
— C90/270,130.9

PFX-3130



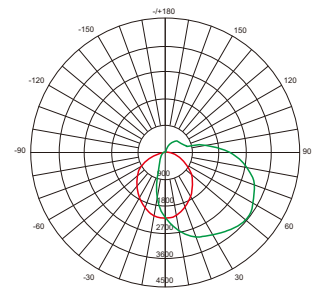
AVERAGE BEAM ANGLE[50%]: 120.9°

UNIT:CD

Lumens:13000LM
Test Number:100W
Test Number:5000K

— C0/180,120.1
— C30/210,120.9
— C60/240,111.3
— C90/270,131.4

PFX-3130



AVERAGE BEAM ANGLE[50%]: 119.2°

UNIT:CD

Lumens:10400LM
Test Number:80W
Test Number:5000K

— C0/180,115.4
— C30/210,121.0
— C60/240,108.4
— C90/270,132.1

CONTROL SWITCH



Photocell ON/OFF

ON OFF

80W 100W 120W



Power Tunable

Power

3000K 4000K 5000K



CCT Tunable

Kelvin Tunable

EMERGENCY BATTERY BACK OPTION



Additional Accessory: 18W Emergency Driver with Waterproof Junction Box

PARAFLEX does not warrant or represent that the information is free from errors or omission. The information may change without notice and PARAFLEX is not in any way liable for the accuracy of any information printed and stored or in any way interpreted or used.