

BL620-T

BOLLARD LIGHT



PROJECT
NOTES

DATE

TYPE

REV: 08 2022



CCT Adjustable

3000K 4000K 5000K



DIE-CASTED ALUMINUM HOUSING

Cast aluminum housing with dark bronze, powder coat finish. High impact, polycarbonate lens.

FEATURES

Efficacy higher than 115 lm/W with zero uplight while consumes 26W. Round appearance for good decorative effect, sized in 3.5ft height. Dark bronze polyester powder-coat finish. 360 degrees surround illumination with 80 CRI. 1-10V dimming and projected over 50,000 hrs life span. Operating temperature is -40°C to 40°C (-40°F to 113°F). Optional emergency function for emergency needs. Robust ground cage pre-buried installation. UL/cUL wet location listed.

PRODUCT APPLICATIONS

Walkways
Playgrounds
Residential Areas
Business Districts
Parks & Recreational Fields
Commercial Areas

When Specifying Options, Please Check with Factory for Availability and Lead-Time.

ORDERING GUIDE

Sample Part # BL620-T-27V-26W-40K-BZ

MODEL	VOLTAGE	WATTAGE	COLOR TEMPERATURE (CCT)	HOUSING COLOR	Options
BL620-T	27V 120-277V	26W	30K 3000K 40K 4000K 50K 5000K	BZ DARK BRONZE	B 8W Emergency battery

ELECTRICAL DATA

Sample Part # BL615 - 25W - 30K - 120 - BZ

Model	DLC PART NUMEBR	Luminaire Lumens	Lumens Per Watt	Input Voltage	Input Current (A)		
					120V	240V	277V
BL620-T-27V-26W-30K-BZ	NOT LISTED	2,800lm	110lm/W	120-277V	0.22	0.11	0.09
BL620-T-27V-26W-40K-BZ	MBL0126W27V40K[D,B,W]	3,000lm	115lm/W	120-277V	0.22	0.11	0.09
BL620-T-27V-26W-50K-BZ	MBL0126W27V50K[D,B,W]	3,100lm	119lm/W	120-277V	0.22	0.11	0.09

PARAFLEX does not warrant or represent that the information is free from errors or omission. The information may change without notice and PARAFLEX is not in any way liable for the accuracy of any information printed and stored or in any way interpreted or used.

6" BOLLARDS

LED BOLLARD LIGHT

PARAFLEX
Fast Flexible Focused Lighting

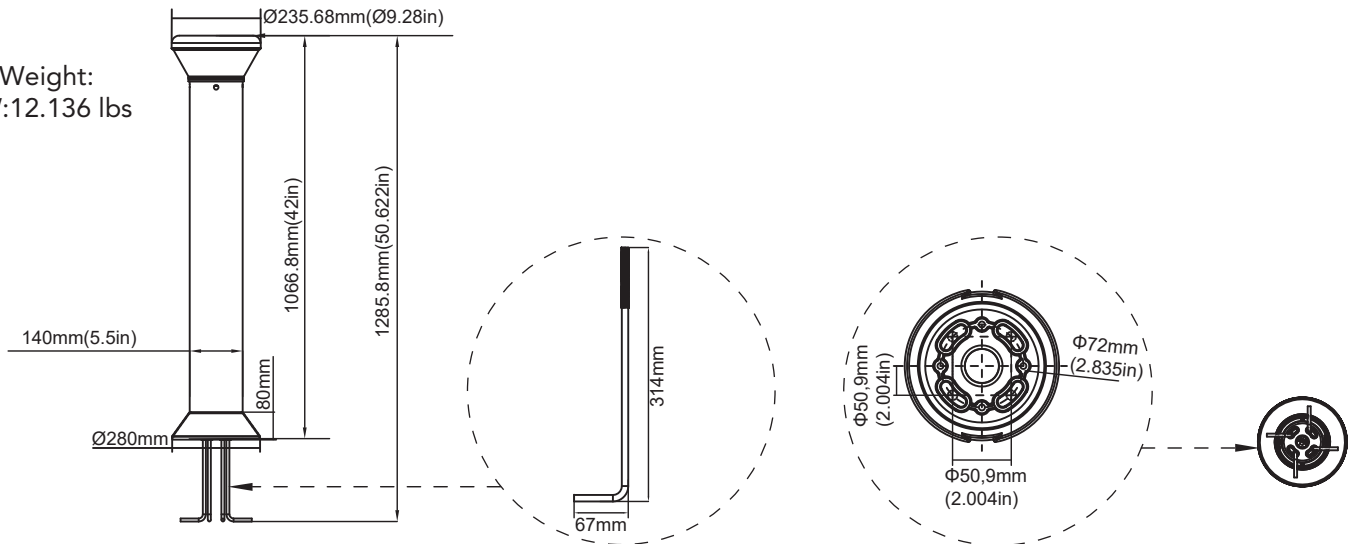
PARAFLEX does not warrant or represent that the information is free from errors or omission. The information may change without notice and PARAFLEX is not in any way liable for the accuracy of any information printed and stored or in any way interpreted or used.

PRODUCT SPECIFICATIONS

DIMENSION

unit: inch/mm

Net Weight:
26W:12.136 lbs



WARNING

PLEASE READ ALL INSTRUCTIONS BEFORE ATTEMPTING INSTALLATION

- To prevent personal injury or product damage only licensed electricians should install.
- To avoid electric shock or component damage disconnect power before attempting installation or servicing.
- This product must be installed in accordance with the national electric code (NEC) and all applicable federal, state and local electric codes and safety standards.
- Disconnect product and allow cooling prior to servicing.
- Any alteration or modification of this product is expressly forbidden as it may cause serious personal injury, death, property damage and/or product malfunction.
- To prevent product malfunction and/or electrical shock this product must be properly grounded.
- This luminaire is designed to operate in ambient temperatures ranging from -40°C to 45°C and to be horizontally mounted with the LEDs facing down.
- This product must be installed in accordance with the applicable installation code by a Person familiar with the construction and operation of the product and the hazards involved.
- Min 75°C supply conductors.
- This product is not available for several special environments, such as places with corrosive gas liquids or high pressure water vapor.
- The allowable ambient temperature is 10°C (50°F) to 40°C (104°F) when configuring the emergency battery kit.

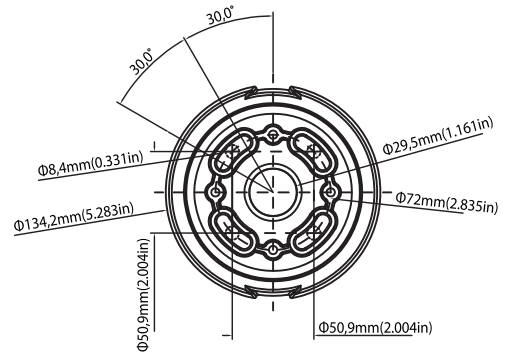
6" BOLLARDS

LED BOLLARD LIGHT

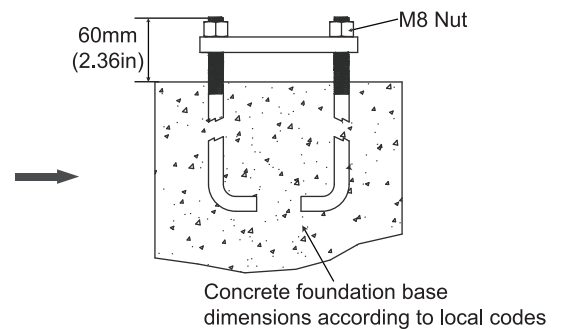
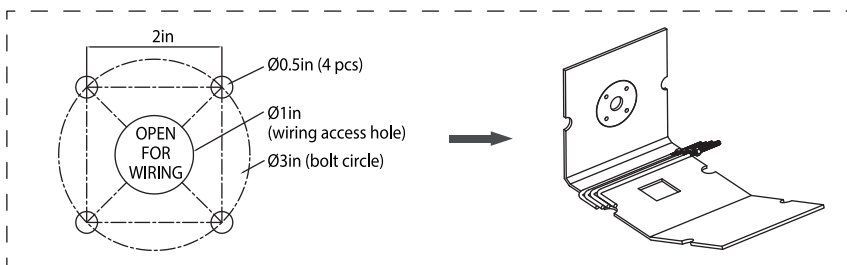
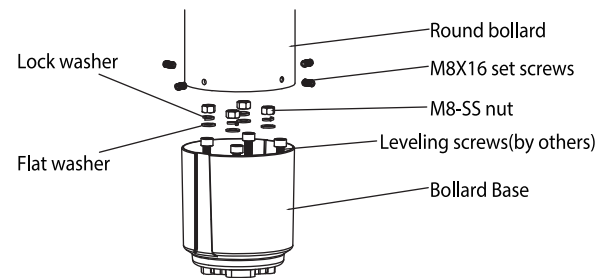
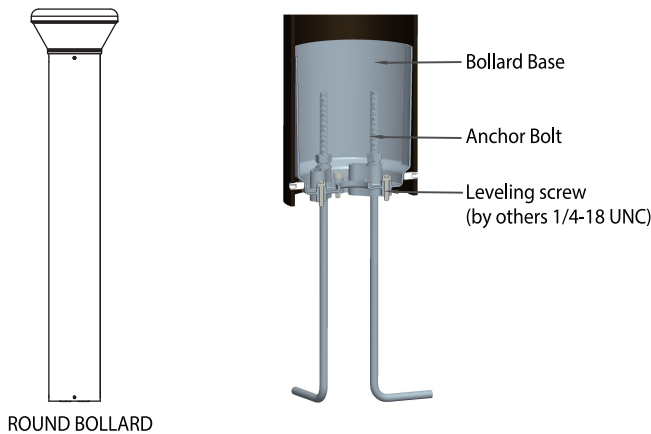
PARAFLEX does not warrant or represent that the information is free from errors or omission. The information may change without notice and PARAFLEX is not in any way liable for the accuracy of any information printed and stored or in any way interpreted or used.

Installation instructions

1. Verify bolt circle diameter and anchor bolt projection and use anchor bolt template to assure accuracy.
2. Place the Bollard base over Anchor Bolts.
3. Loosely tighten the washers and nuts provided. Tighten all nuts and screws.
4. Be sure supply leads extend far enough to make fixture connections. Wiring connections can be made now.
5. Slide the bollard over on bollard base lined up with the grooves. Be sure to check the LED position on the Bollard.
6. Use the four set screws to secure the bollard to the bollard base.



ANCHOR BOLT TEMPLATE FOR BLE BOLLARD



TOOLS REQUIRED

Mounting Type	Accessory	Specifications	Quantity
	Bollard Base	MBL0124DZ-D134H143(D)-YZ	1
	M8-SS nut	M8-SS	4
	Anchor Bolt	MBL0124ZJ-L314W8H67	4
	Flat Washer	M8-SS	4
	Lock Washer	M8-OD15ID8.5H1.4-SS	4

