

CCT/WATT ADJUSTABLE BACKLIT LED FLAT PANEL

PFX - 5106

PARAFLEX
Fast Flexible Focused Lighting

PROJECT

DATE

TYPE

NOTES

Dual Selectable LED Panels are commercial luminaires utilizing advanced driver technology to provide an all in one luminaire, providing 3 wattages and 3 CCT options in each size panel. This provides superior lighting performance while minimizing inventory by reducing the amount of stocking SKUs. They achieve high uniformity, DLC PREMIUM energy efficiency and reduced glare in typical T-bar grid ceiling applications.

Our state-of-the-art backlit LED technology utilizes PMMA lensing over the LEDs which will not discolor over time. The need for a light guide is eliminated, thus increasing photometric performance while keeping costs competitive. Combined with the rigid back enclosure that prevents warping in application, this luminaire is designed for worry-free longevity and reliability. Available with factory installed battery backup for 90 minutes emergency egress illumination.



SPECIFICATIONS

CONSTRUCTION

- Aluminum frame in white finish, steel die-formed back enclosure

OPTICS

- PMMA lenses over LEDs, PS diffuser
- SDCM < 5
- UGR < 22
- 120° Beam angle

ELECTRICAL

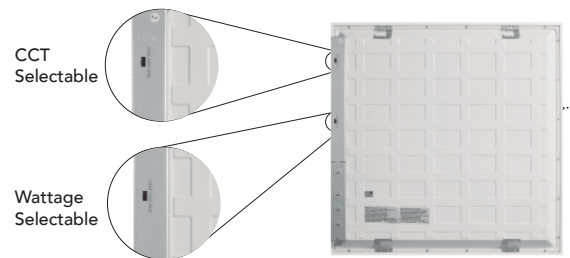
- 0-10VDC Dimming (10%-100%)

CERTIFICATIONS

- UL Listed for Damp Locations
- IC Rated for insulated ceilings
- RoHS, FCC
- DLC 5.1 PREMIUM
- -20°C to 35°C (-4°F to 95°F)

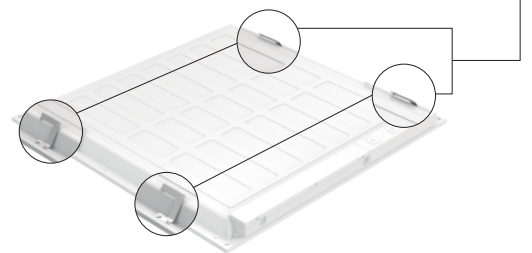
WARRANTY

- 5 Year



INSTALLATION

- Recessed in T-bar grid ceiling with integral earthquake clips for secure attachment
- Surface mount and suspension mount cable kit accessories available



QUICKSHIP ORDERING INFORMATION

Catalog No.	Description	Weight	Qty/Carton	Qty/Pallet
5106	2x4 LED Flat panel, 30/40/45 adj wattage, 3500/4000/5000K CCT adj, 120-277V, 0-10VDC dimming, DLC 5.1 PREMIUM	9.2 lbs	2	32
	2x2 LED Flat panel, 18/24/30W (P1) or 20/30/36W (P) adj, 3500/4000/5000K CCT adj, 120-277V, 0-10VDC dimming	5.2 lbs	2	72

CCT/WATT ADJUSTABLE BACKLIT LED FLAT PANEL

PROJECT

DATE

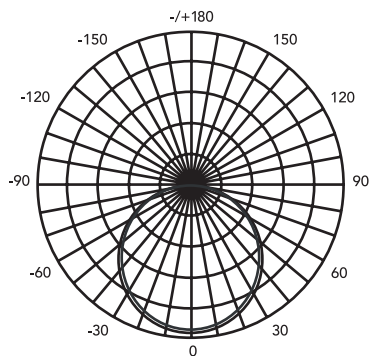
TYPE

NOTES

SPECS AT A GLANCE

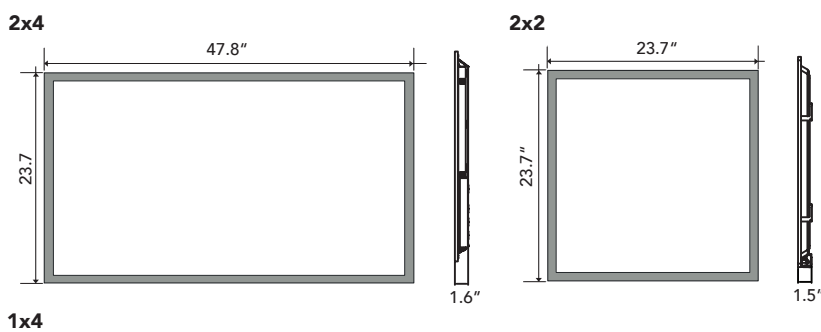
Model	5106	
Wattage	30/40/45	18/24/30
CCT	3500K/4000K/5000K	3500K/4000K/5000K
Lumens	3825/5100/5738	2295/3060/3825
Efficacy (LPW)	127.5	127.5
CRI	80	
Input Voltage	120-277VAC, 0-10VDC Dimming	
Certifications	DLC 5.1 PREMIUM*, UL, Damp Location, FCC, RoHS	
Operating Temp	-20°C to 35°C (-4°F to 95°F)	
Warranty	5 Years	

PHOTOMETRY



LAMBERTIAN

DIMENSIONS



CCT/WATT ADJUSTABLE BACKLIT LED FLAT PANEL

PROJECT

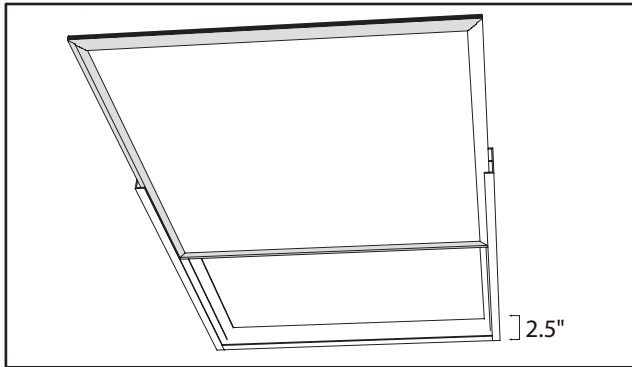
DATE

TYPE

NOTES

MOUNTING ACCESSORIES

SURFACE MOUNT KITS



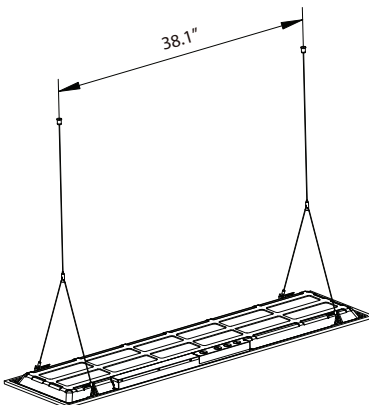
7503 2x2 Surface Mount Kit, White

7504 2x4 Surface Mount Kit, White

SUSPENSION CABLE MOUNT KITS

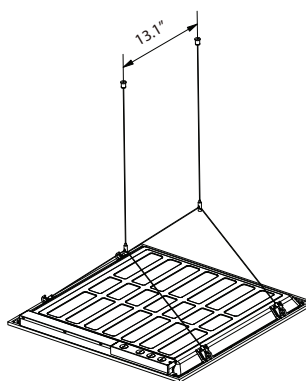
(Max. Adjustment Range: 3.9 Feet; Min. Adjustment Range: 0.6 Feet)

1X4 Kits



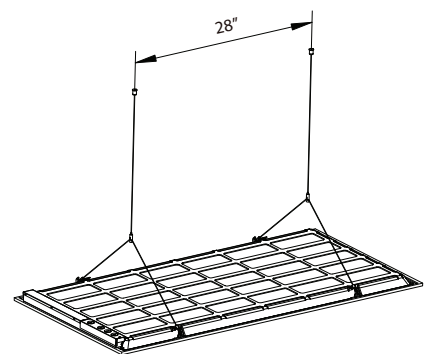
7501 2-Cable Kit

2X2 Kits



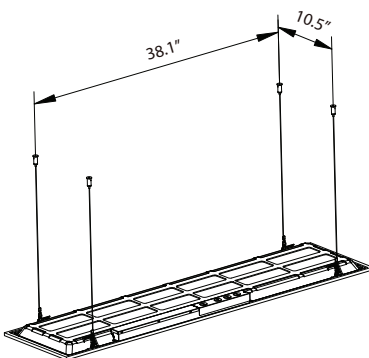
7501 2-Cable Kit

2X4 Kits



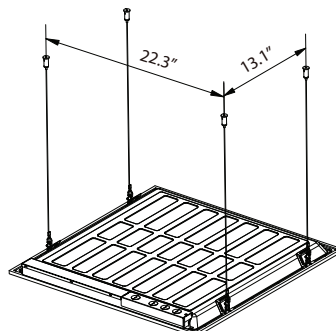
7501 2-Cable Kit

38.1" 10.5"



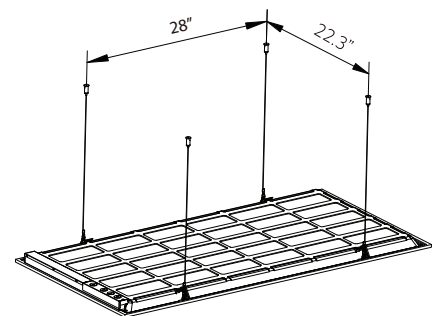
7502 4-Cable Kit

22.3" 13.1"



7502 4-Cable Kit

28" 22.3"



7502 4-Cable Kit