

PARAFLEX

Fast Flexible Focused Lighting

Strip Lighting

PFX-5302-ST-8F



Shipping Costs a Problem?

Not Anymore! This fixture ships in a 4' Box to eliminate damage concerns and can ship on a normal pallet to save Shipping.

PARAFLEX does not warrant or represent that the information is free from errors or omission. The information may change without notice and PARAFLEX is not in any way liable for the accuracy of any information printed and stored or in any way interpreted or used.

A 3 Luger Rd. #1 - Denville, NJ 07834

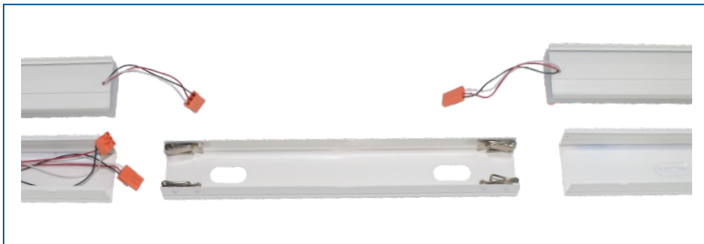
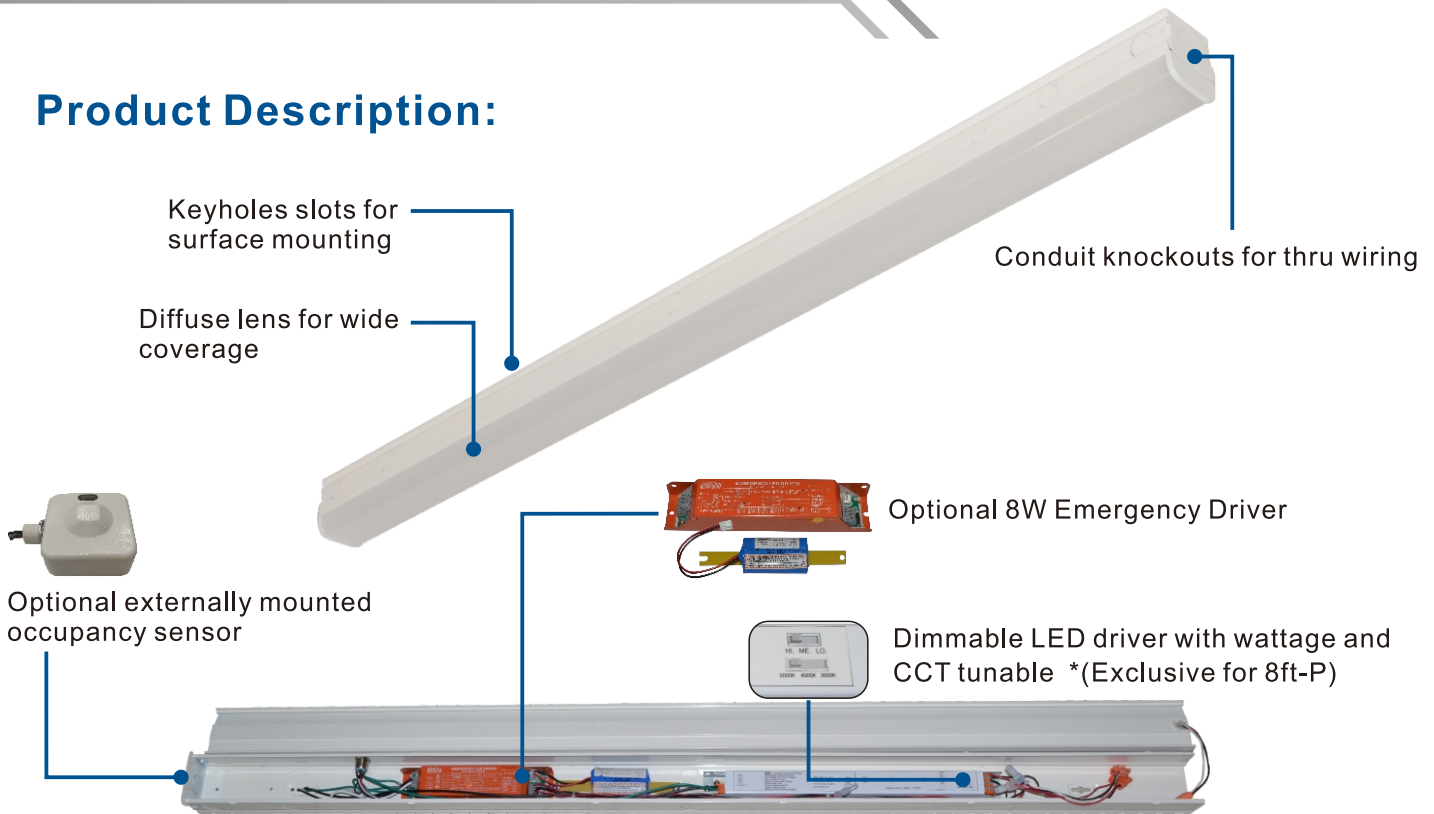
E info@paraflex.com

W www.paraflex.com

P 973-340-6040

 *Fast Flexible Focused Lighting*

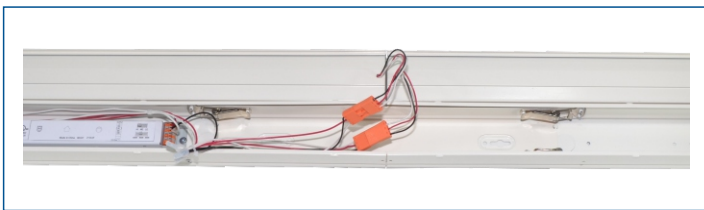
Product Description:



Step 1: Use the metal latch plate provided to connect both strip lights together



Step 2: Lock 4 metal latches to secure the connection



Step 3: Connect the wires to create a virtually seamless design



Step 4: Metal latches provide an easy way to make a secure and strong assembly between the 4ft sections



PARAFLEX does not warrant or represent that the information is free from errors or omission. The information may change without notice and PARAFLEX is not in any way liable for the accuracy of any information printed and stored or in any way interpreted or used.

Product Description:

With its slim design, this new linear strip light seamlessly blends flat high quality housing and precision optics to produce a sleek, subtle aesthetic that meets most office ceiling application needs. It is ideal for office spaces, supermarkets, meeting rooms, and workshops.

Features:

LISTING

▶ UL and CUL listed

HOUSING

▶ Housing made of high quality steel with high reflectance paint, providing high lumen output.

AMBIENT TEMPERATURE

▶ Suitable for use in -40°C to +40°C

EFFICACY

▶ Up to 130 lumens per watt (see individual wattage data)

CCT AND CRI

▶ 3000K, 4000K and 5000K CCT available, 80CRI

LENS

▶ Precision and high reflectance lens producing superior uniformity

ELECTRICAL

▶ Voltage: 120-277V standard, Class 2 constant current Drivers with 90% power factor, <20% THD. Driver efficiency (>90% standard);50/60Hz;

▶ 2KV-4KV Surge.

▶ Dimming 0-10V driver Standard.

▶ Occupancy sensor (PIR) optional.

FINISHES

▶ Polyester powder white finish, Multi-stage process produces 3mil thickness for superior corrosion and maximum environmental durability.

Performance Data

Model NO.	System Watts	Lumens	Efficacy	Linkable
PFX-5302-ST-8F-65P	33/50/69W	8624 lm	126 lm/W	8ft connect up
*Lumen and efficacy are based on highest wattage 5000K				

Specification:

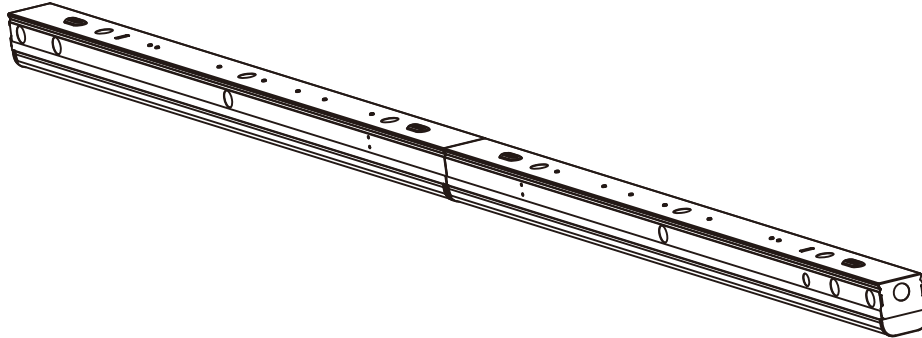
Example: PFX-5302-ST-8F-65P

Model No.	System Watts	Input Voltage	CRI	Color Temp	Finish	Option
PFX-5302-ST-8F-65P	33W 50W 69W	UNV= 120-277VAC	8=80+	30=3000 K 40= 4000 K 50=5000 K	WH=White	BLANK = No Sensor OS =Occupancy Sensor EM = Emergency Driver



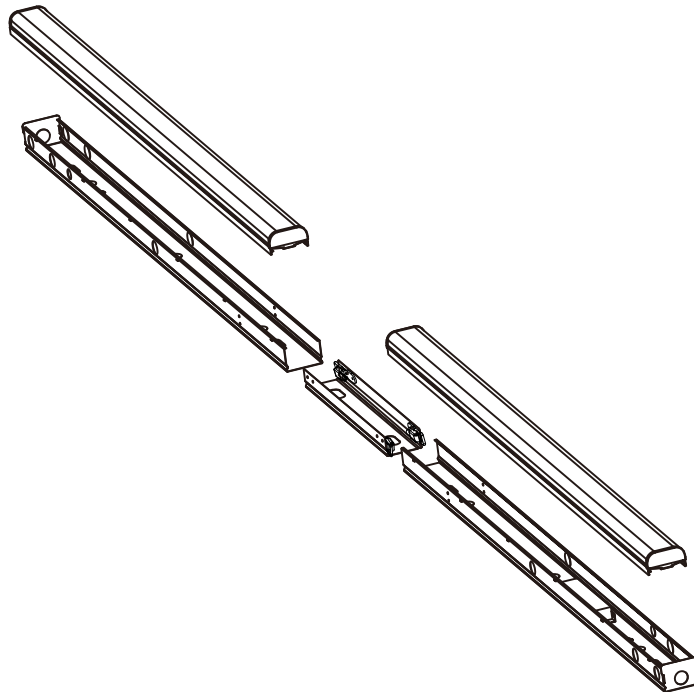
PARAFLEX does not warrant or represent that the information is free from errors or omission. The information may change without notice and PARAFLEX is not in any way liable for the accuracy of any information printed and stored or in any way interpreted or used.

Dimension:



96"
2438mm

3.03"
77mm
2.65"
67.4mm



PARAFLEX does not warrant or represent that the information is free from errors or omission. The information may change without notice and PARAFLEX is not in any way liable for the accuracy of any information printed and stored or in any way interpreted or used.