

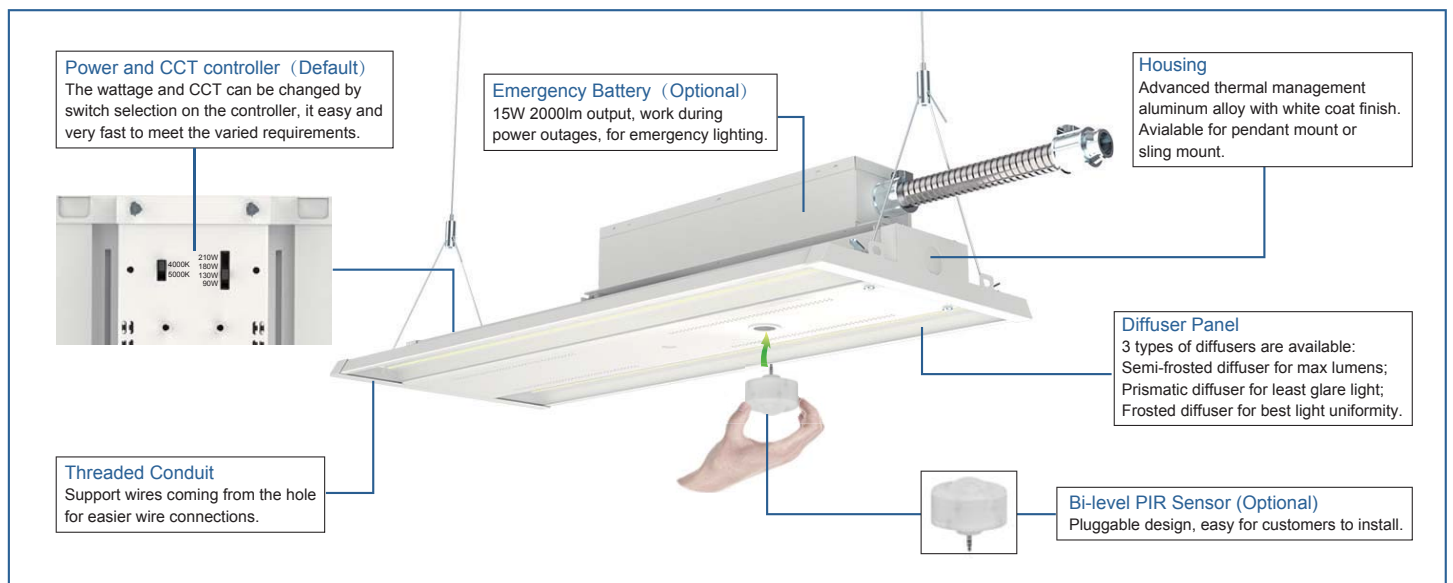
Applications:

Suitable for commercial, retail and institutional applications including gymnasiums, factories and warehouses.

Features

- Visual comfortable light comes from a simple contour.
- Best choice for replacing fluorescent lamps with high efficacy.
- Voltage is 120-277V & 347/480V.
- Optional prismatic diffuser reduces glare light toughly.
- Optional frosted diffuser delivers best light uniformity.
- Bi-level PIR sensor is optional and supports Emergency Battery.
- Standard 1-10V dimming.
- Steel wire rope(default included), pendant or surface mounting available.
- Projected lifespan of 50,000 hrs.
- Operating temperature is -40°C to 50°C(-40°F to 122°F).

Note: Operating with emergency battery temperature range: 0°C to 50°C (+32°F- +122°F).



DIFFUSER OPTIONS



Semi-frosted Diffuser (High efficacy)



Prismatic Diffuser (Low glare)



Frosted Diffuser (Soft light)

PERFORMANCE DATA

SYSTEM WATTS	VOLTAGE	LENS	LUMENS 4000K(70CRI)	LPW 4000K(70CRI)	LUMENS 5000K(70CRI)	LPW 5000K(70CRI)
210W	120-277VAC	Half-frosted Diffuser	30000lm	143lm/W	30000lm	143lm/W
		Prismatic Diffuser	27930lm	133lm/W	27930lm	133lm/W
		Frosted Diffuser	27300lm	130lm/W	27300lm	130lm/W
225W	347/480VAC	Half-frosted Diffuser	31000lm	138lm/W	31000lm	138lm/W
		Prismatic Diffuser	30000lm	133lm/W	30000lm	133lm/W
		Frosted Diffuser	29500lm	131lm/W	29500lm	131lm/W

ADJUSTABLE LUMEN OUTPUT TABLE

SETTING	SYSTEM ATTS	VOLTAGE	LENS	LUMENS 4000 K(70CRI)	LPW 4000 K(70CRI)	LUMENS 5000 K(70CRI)	LPW 5000 K(70CRI)
100%	210W	120-277VAC	Semi -frosted Diffuser	30000 lm	142lm/W	30000 lm	142lm/W
80%	180W	120-277VAC	Semi -frosted Diffuser	25000 lm	139lm/W	25000 lm	139lm/W
60%	130W	120-277VAC	Semi -frosted Diffuser	20000 lm	154lm/W	20000 lm	154lm/W
40%	90W	120-277VAC	Semi -frosted Diffuser	13600 lm	151lm/W	13600 lm	151lm/W

ELECTRICAL DATA

Number Of Drivers	Driver Current (mA)	Nominal Power (W)	INPUT VOLTAGE (V)	CURRENT (Amps)
1	1060	210	120	1.75
		210	208	1.01
		210	240	0.88
		210	277	0.76
		225	347	0.65
		225	480	0.47

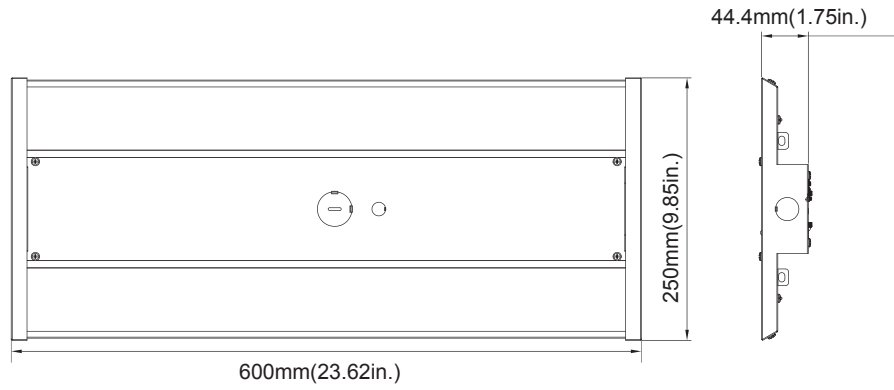
DIMENSION

unit: inch/mm

Net Weight

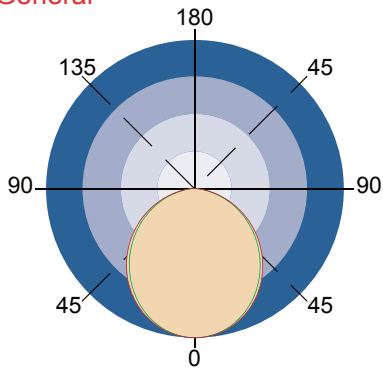
210W: 5.957 lbs

225W: 9.043 lbs

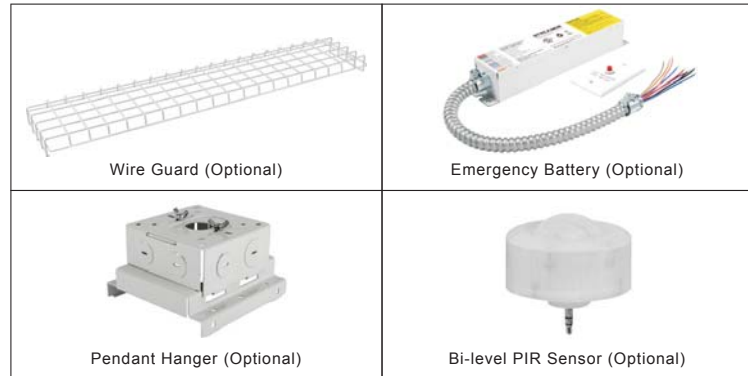


PHOTOMETRICS

General



ACCESSORY



ORDERING GUIDE

Example: PFX-5211 210W27VDDKCD

Fixture Type	Wattage	Voltage	CCT	Lens	Sensor (Option)	Backup Battery (Option)	Surge Protector	Internal Code
<input type="checkbox"/>	<input type="checkbox"/>	<input type="checkbox"/>	<input type="checkbox"/>	<input type="checkbox"/>	<input type="checkbox"/>	<input type="checkbox"/>	<input type="checkbox"/>	<input type="checkbox"/>
PFX-5211 Linear high bay series	210W 225W	27V 120-277V 48V 347/480V	DDK Adjustable color temperature	CD Semi-frosted Diffuser PD Prismatic Diffuser FD Frosted Diffuser	M PIR Sensor Blank Without Sensor	B Emergency Battery Blank Without Emergency Battery	S With Surge Protector Blank Without Surge Protector	Blank Alphanumeric

Note: 1. Pendant and surface mounting isn't supported with emergency battery.

2. The Watt is 210W when the voltage is 120-277V, while when it is 347V/480V, the watt is 225W.