

PARAFLEX

Fast Flexible Focused Lighting

Cylindrical Wall Pack UP/DOWN

PFX 3125



APPLICATIONS

	Retails & Supermarkets
	Hotels & Restaurants
	Commercial Buildings
	Offices And Showrooms
	Schools & Colleges



PARAFLEX does not warrant or represent that the information is free from errors or omission. The information may change without notice and PARAFLEX is not in any way liable for the accuracy of any information printed and stored or in any way interpreted or used.

A 3 Luger Rd. #1 - Denville, NJ 07834

E info@paraflex.com

W www.paraflex.com

P 973-340-6040

 *Fast Flexible Focused Lighting*

Product Description:

Introducing the PFX3125 Cylinder - the perfect lighting solution for any space. With its sleek and modern design, this cylinder light adds a touch of elegance to any room. The PFX3125 Cylinder features both up and down lighting, providing optimal illumination to any space.

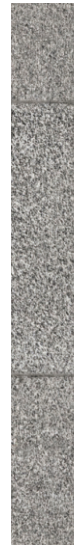
In addition, the PFX3125 Cylinder is customizable with its 3 CCTs (color temperature) and 4 selectable power options. This allows you to choose the perfect lighting for your specific needs, whether you need bright, white light for a workspace or warm, cozy lighting for a living area.

The PFX3125 Cylinder is also energy efficient, ensuring that you save money on your electricity bill while still enjoying high-quality lighting. This cylinder light is easy to install and can be used in a variety of settings, including homes, offices, and public spaces.

Invest in the PFX3125 Cylinder and enhance the lighting in your space. With its versatility, energy efficiency, and modern design, this cylinder light is a must-have for any interior design project.



Product Description:



Wall luminaire light emission from one side or two sides up and down



Embedded diffuser minimize glare, soft lighting creating comfortable visual rhythm

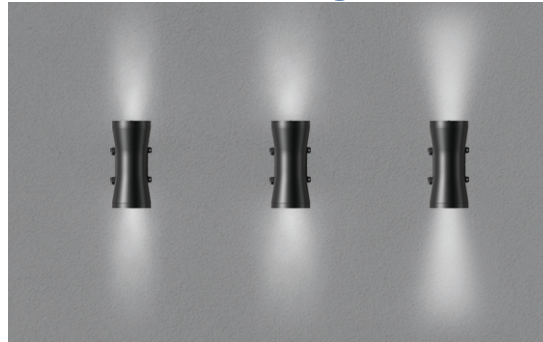


Light Distribution:

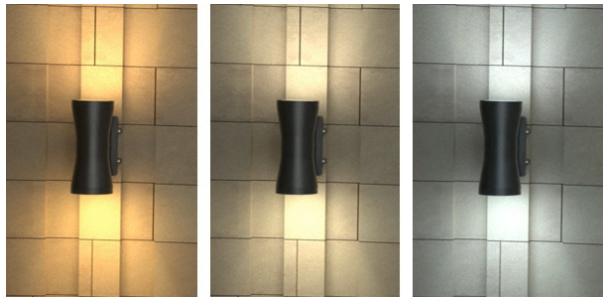


If only one side of the light is required, please contact our customer service for customization

Photometric Diagrams:



3 CCTs Selectable



3000K

4000K

5000K

4 Powers Selectable



30%

50%

75%

100%



PARAFLEX does not warrant or represent that the information is free from errors or omission. The information may change without notice and PARAFLEX is not in any way liable for the accuracy of any information printed and stored or in any way interpreted or used.

Performance Data @4000K Ra≥ 80:

Model No.	System Watts	Lumens	LPW
PFX 3125-060 (100%)	60W	6600lm	110lm/w
PFX 3125-060 (75%)	45W	4950lm	110lm/w
PFX 3125-060 (50%)	30W	3300lm	110lm/w
PFX 3125-060 (30%)	18W	1980lm	110lm/w

Specification:

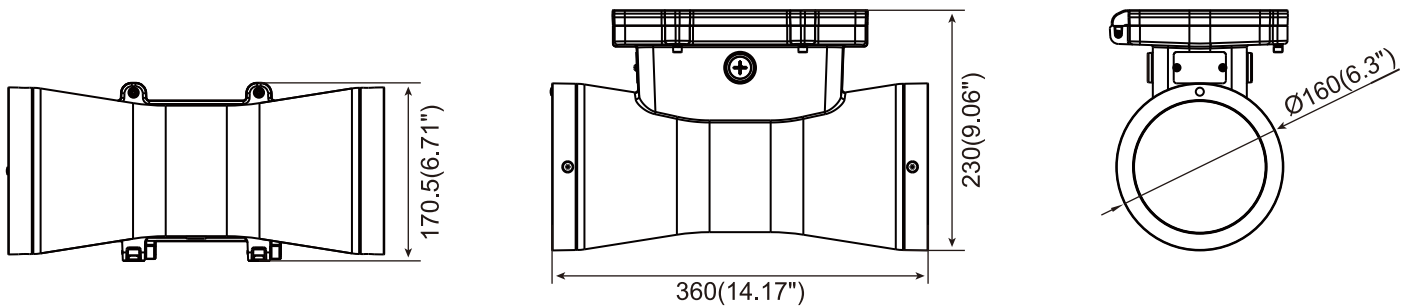
Model No.	System Watts	Input Voltage	CRI	Color Temp	Control	Beam Angle	Photocell Optional	Finish	Starting Temp
PFX 3125-060	MAX.60W 100% 75% 50% 30% Selectable	UNV=120-277V	8=80+	3000K 4000K 5000K Selectable	D=0-10V	30°	N/A	BZ =Bronze BL =Black	-30°C to +50°C
PFX 3125-060	As Above	As Above	As Above	4000K	As Above	15°	N/A	As Above	As Above

** Different LED Kelvin temperature available with 4-6 week lead time. Please call for a quote.

* DISCLAIMER: This test report was produced in accordance with IES LM-79 photometric testing protocol for luminaires, using a single representative test fixture.

Actual production units may vary from the values reported here by up to ±10%.

Dimension:



PARAFLEX does not warrant or represent that the information is free from errors or omission. The information may change without notice and PARAFLEX is not in any way liable for the accuracy of any information printed and stored or in any way interpreted or used.